

# TGS 6X4 TRACTOR

Chassis Specification:

TGS 26.430 6x4 BB SA

TGS 26.470 6x4 BB SA

TGS 26.510 6x4 BB SA



# TGS 6X4 TRACTOR

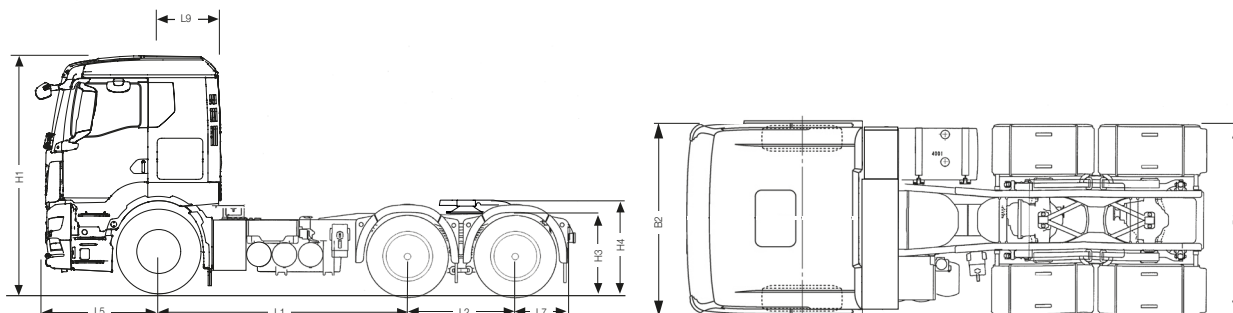
TGS 26.430 6x4 BB SA

TGS 26.470 6x4 BB SA

TGS 26.510 6x4 BB SA

## Base Cab Model TGS 'TN' Cab

For cab variants, options and specifications see separate cab specification sheet.



### Vehicle Dimensions (mm)

Dimension	Description	3300	3600	3900
L1	Wheelbase	3300	3600	3900
L2	Rear bogie spread	1400	1400	1400
L5	Front overhang	1475	1475	1475
L7	Rear overhang	700	700	700
L9	Centre line front axle to back of cab	805	805	805
B1	Width across rear tyres	2470	2470	2470
B2	Cab width over wings	2499	2499	2499
H1	Cab height			
	- laden	3075	3075	3075
	- unladen	3142	3142	3142
H3	Frame height at centre rear wheels			
	- laden	981	981	981
	- unladen	1061	1061	1061
H4	Fifth wheel height			
	- laden	1290	1290	1290
	- unladen	1370	1370	1370

### Turning Circle (m)

WTW	Wall to Wall	18.5	19.3	20.1
KTK	Kerb to Kerb	16.9	17.6	18.3
	Optimum fifth wheel position forward of third axle	1125	1175	1225

### Unladen Weights (kg +/- 2.5%)

Front axle	5079	5082	5108
Rear axle	4079	4098	4094
Total	9158	9180	9202

Unladen weights are for vehicle in standard specification with full tanks of fuel and AdBlue® and include driver.

### Plated/Operating Weights (kg)

	Design	UK Legal	
GTW	Gross Train Weight	44000	44000
GVW	Gross Vehicle Weight	26000	26000
Front axle <sup>(1)</sup>		7500	7500
Rear axle		21000	19000

Tyre changes can affect legal weights. (1) 8000 kg and 9000 kg front axle upgrade available.

### Optional Equipment & Weights

16 Speed manual transmission	+69	NN Cab	-235
Air Conditioning	+30	TM Cab	+15
9000 kg capacity front axle	+119	Rear air suspension	-350
9.00 x 22.5 Alloy Wheels	-138	Adjustable roof spoiler	+45

All weights indicated above subject to +/- 2.5% manufacturer's tolerance. Changes to standard equipment will alter kerb weights.

Engine Model - Euro 6	D2676LFAJ	D2676LFAI	D26LFAF	Features
Engine Power (PS)	430	470	510	<ul style="list-style-type: none"> <li>▪ Selective Catalytic Reduction</li> <li>▪ Cruise Control</li> <li>▪ Exhaust brake</li> <li>▪ Road Speed Limiter (89 km/h)</li> <li>▪ OBD-E</li> <li>▪ Suitable for EN15940</li> </ul>
Rated Speed (rpm)	1800	1800	1800	
Torque (Nm)	2200	2400	2600	
Torque Range (rpm)	930 - 1350	930 - 1350	930 - 1350	
Cylinders	6	6	6	
Capacity (cc)	12419	12419	12419	

### Performance at 44000 kg

Engine Power	Gearbox	Axle Ratio	Geared Road Speed (mph)	Engine RPM		Starting Grade	Tyre Size
				@55 mph	@50 mph		
430PS	12.26 DD	3.08:1	72	1385	1245	33%+	315/80R22.5
470PS	12.26 DD	3.08:1	72	1385	1245	33%+	315/80R22.5
510PS	12.26 DD	3.08:1	72	1385	1245	33%+	315/80R22.5

### Clutch

Single plate 430mm diameter, asbestos free lining

### Gearbox

12 Speed Tipmatic® Automated

### Ratios

1	16.69
2	12.92
3	9.93
4	7.67
5	5.90
6	4.57
7	3.66
8	2.83
9	2.17
10	1.68
11	1.29
12	1.00
R1	15.54
R2	12.03

### Frame

Construction	Bolted and riveted
Material	S500MC
Section	270 x 85 x 8 mm
Frame width	942 - 762 mm waisted

### Fuel Tank

Capacity	400 Litres
Section	Rectangular steel RHS mounted Locking cap

### Axles

Steer	Drop beam
Drive	Single reduction with cross axle and inter-axle differential locks

### Suspension

Steer Axle	Single parabolic springs with shock absorbers and stabiliser
Drive Axle	Five leaf parabolic springs with shock absorbers and stabiliser

### Rims & Tyres

Rims	Steel 9.00 x 22.5
Tyres	Steer 315/80R22.5 Drive 315/80R22.5

### Electrical System

Type	CAN Bus system with central on-board computer
Voltage	24V
Alternator	110 AMP
Batteries	2 x 12v 175Ah

### Steering

Type	Hydraulically assisted
------	------------------------

### Braking System

Type	Electronic Brake System (EBS) with Anti-lock Braking System (ABS)
Features	Disc brakes, air dryer, asbestos free linings
Parking Brake	Spring brakes on rear axle

### Exhaust System

Ground discharge silencer, incorporating Diesle Particulate Filter (DPF)

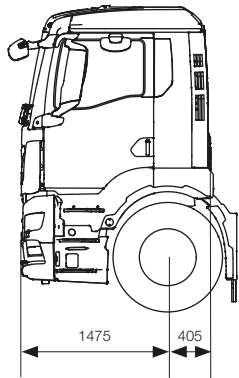
### General Equipment

60 Litre AdBlue® tank
Electronic immobiliser
Fuel filter with water separator
Mechanical battery master switch
Audible reverse warning with night silent
Central locking doors
Electronically controlled and heated rear view mirrors
NH/4c Power Take Off (PTO)
Steel front bumper
Catwalk and step
Fixed fifth wheel
Hoses and couplings including ABS lead
Coupling lamp
Lane Guard System (LGS)
Emergency Brake Assist (EBA)
Electronic Stability Programme (ESP)

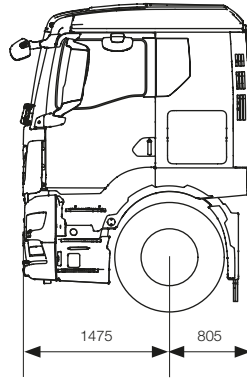
# TGS 6X4 TRACTOR

## Cab Options

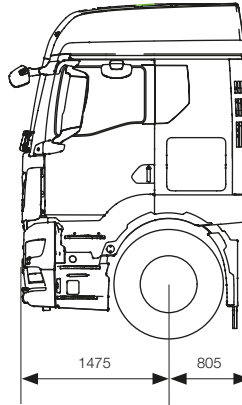
'NN' Cab



'TN' Cab



'TM' Cab



**MAN Truck & Bus UK Ltd.,**  
Frankland Road, Blagrove,  
Swindon. Wiltshire SN5 8YU  
[www.mantruckandbus.co.uk](http://www.mantruckandbus.co.uk)

Ref: MAN TGS 6x4TRAC / 09

Issue Date: May 2022

Technical illustrations are not binding.

Front cover picture may not be standard equipment.

We reserve the right to make modifications in line with technical progress.