

# MAN TGX

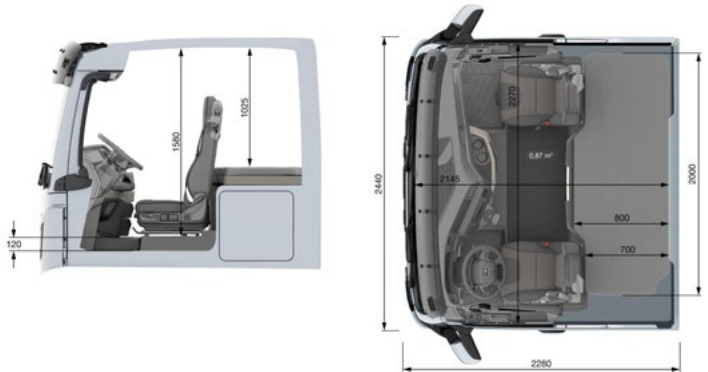
## Cab Specifications



# TGX CAB SPECIFICATIONS

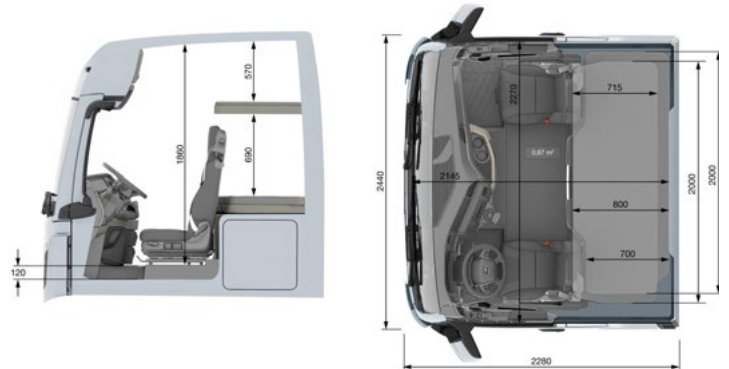
## Cab Type - 'GN' Normal Height Sleeper

- Comfort driver seat with air suspension
- Adjustable co-driver seat
- Generous single bunk with 90 mm foam mattress
- Two exterior storage lockers – both accessible from inside
- Mechanically sprung cab suspension system
- 4 point cab suspension on coil springs
- Central locking
- Under bunk storage
- Electric windows and electrically adjusting rear view mirrors
- All-round curtains
- Night heater
- Advanced media system
- Advanced sound system



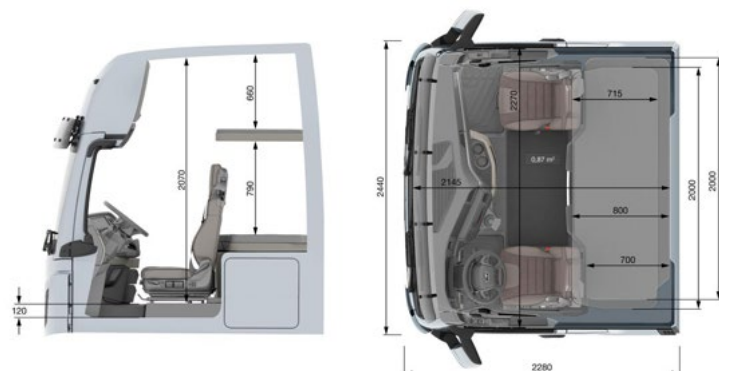
## Cab Type - 'GM' Medium Height Sleeper

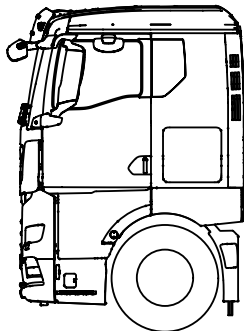
- Comfort driver seat with air suspension
- Adjustable co-driver seat
- Generous single bunk with 90 mm foam mattress
- Two exterior storage lockers – both accessible from inside
- Mechanically sprung cab suspension system
- Roller blind sunvisors
- Central locking
- Under bunk storage
- Over head storage with 3 compartments
- Electric windows and electrically adjusting rear view mirrors
- All-round curtains
- Night heater
- Advanced media system
- Advanced sound system



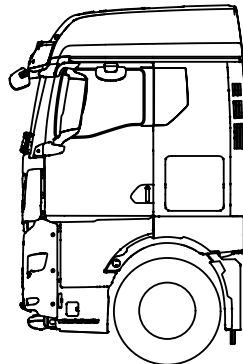
## Cab Type - 'GX' High Roof Sleeper

- Comfort driver seat with air suspension
- Adjustable co-driver seat
- Generous bottom bunk with 110 mm foam mattress
- Generous top bunk with 110 mm foam mattress
- Two exterior storage lockers – both accessible from inside
- Mechanically sprung cab suspension system
- Electric roller blind
- Central locking
- Under bunk storage
- Over head storage with 3 compartments
- Electric windows and electrically adjusting rear view mirrors
- All-round curtains
- Glass elevating roof
- Night heater
- Professional 12.3" digital dash board
- Advanced Media system with navigation
- Advanced sound system with subwoofer

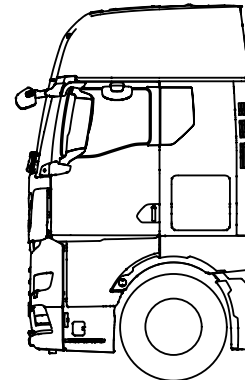




GN Cab



GM Cab



GX Cab

## STANDARD EQUIPMENT

### Exterior

- Cab colour - Pure white RAL 9016:  
(Lower cab parts in standard factory grey including bumper, wings and step area)
- Rear view and wide angle mirrors
- Kerb and front view mirrors
- Mechanical cab suspension
- Hydraulic tilt to 65 degrees
- Under bumper air dam
- Remote central locking
- Adjustable air management kit with side deflectors  
(tractor models only - refer to spec sheet)
- Vehicle toolkit

### Interior

- Desert beige cab interior
- DSRC Digital tachograph with remote download
- Bluetooth connectivity
- Internal folding sunvisor
- Rubber floor covering
- Soft trim roof liner
- Soft trim interior
- Driving hours indicator in the instrumentation
- Electric windows
- Auxiliary 12v/24v sockets
- Reading lights in bunk area

### Safety

- Seat belts for all seats
- Seatbelt warning for first row of seats
- Head restraints for all seats
- Entry lighting
- Non slip entry steps
- Multifunction steering wheel
- Cruise control
- Electronic parking brake (dashboard mounted)

### Storage

- Header rail storage
- Storage pockets in both doors
- Storage pockets on rear cab wall
- Under bunk storage
- 2 external lockers - both accessible from inside

### Heating & Ventilation

- Climate control

### Seats

- Adjustable high back driver seat with cloth trim
- Adjustable high back co-driver seat with cloth trim
- Comfort seat covers
- Driver's seat arm rests

### Windows

- Laminated tinted windscreen

## OPTIONAL EQUIPMENT

### Exterior

	GN	GM	GX
Electrically adjustable & heated rear view mirrors	S	S	S
MAN Optiview mirrorless system	O	O	O
Twin air horns on cab roof	O	O	O
External aerodynamic sun visor	O	O	O
Steel front bumper	O	O	O
Adjustable roof spoiler	O	O	O
Full aero package with spoiler and side deflectors (Chassis models)	O	O	O

### Interior

Chrome interior styling	O	O	O
Moon Grey cab interior	O	O	O
MAN Advanced media system, 7"	S	S	O
MAN Advanced media system, navigation, 7"	O	O	S
Professional instrumentation, 12.3"	O	O	S
MAN Smart Select infotainment control	S	S	S
MAN Advanced sound system with subwoofer	O	O	S
Pull out tray table on co-driver's side	O	O	O
Co-driver foot rest	O	O	O
Glass sunroof	O	O	S
110 mm comfort bed mattress	O	O	S
Second bunk	-	O	S

### Safety

Combined fog and spot lamps	O	O	O
Driver's airbag	O	O	O
Electronic park brake (dashboard mounted)	S	S	S
LED headlamps	O	O	O
Automatic wiper activation	O	O	S
Headlamp washer system	O	O	O
Fire extinguisher	O	O	O
Automatic headlights with light sensor	O	O	S
Assisted high-beam headlights	O	O	S
Turn Assist	O	O	O
Lane Change Support and Turn Assist	O	O	O
Lane Return Assist	O	O	O
ACC Stop & Go	O	O	O
Lane Change Collision Prevention Assist	O	O	O
MAN CruiseAssist	O	O	O

### Storage

	GN	GM	GX
Under bunk storage box	S	S	S
Pull out fridge	O	O	O

### Heating & Ventilation

Night heater	S	S	S
Air conditioning with automatic temp control	O	O	O
Climate control	S	S	S

### Seats

Air suspended driver seat	S	S	S
with lumbar support and shoulder adjustment			
Comfort seat covers	O	S	S
Driver and co-driver arm rests	O	O	O
Partial leather seat covers	O	O	O
Air suspended co-driver seat	O	O	O
Air suspended co-driver seat with lumbar support and heating	O	O	O
Folding co-driver's seat	O	O	O
Folding and turning co-driver's seat	O	O	O

### Windows

Electric roller blind for windscreen	O	O	S
Roller blind for driver's Door	S	S	S
Roller blind for passenger Door	O	O	O
Heated laminated tinted windscreen	O	O	O

S = Standard O = Optional

### MAN Truck & Bus UK Ltd.,

Frankland Road, Blagrove,  
Swindon. Wiltshire SN5 8YU  
www.mantruckandbus.co.uk

Ref: MAN TGX Cab Spec / 07

Issue Date: May 2022

Technical illustrations are not binding.

Front cover picture may not be standard equipment.

We reserve the right to make modifications in line with technical progress.