

MAN TGS

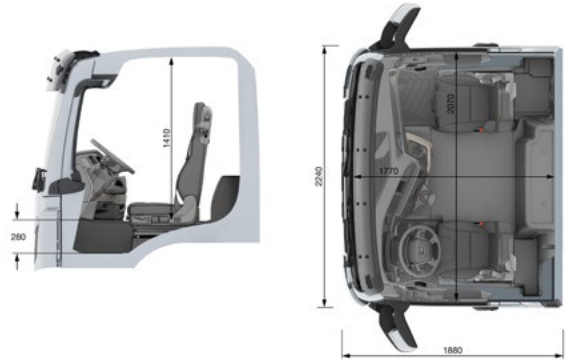
Cab Specifications



TGS CAB SPECIFICATIONS

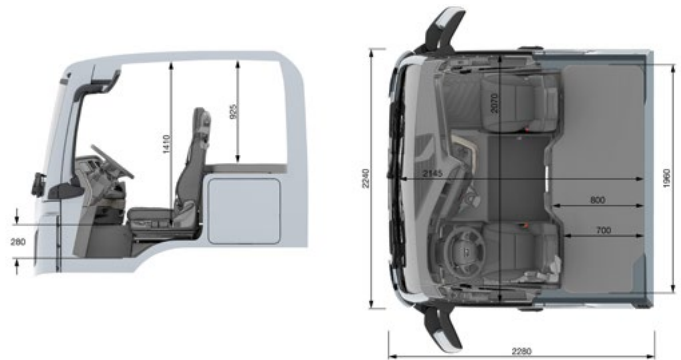
Cab Type - 'NN' Medium Day

- Comfort driver seat with air suspension
- Adjustable co-driver seat
- Mechanically sprung cab suspension system
- Roller blind for driver's door
- 4 point cab suspension on coil springs
- Central locking
- Storage box on cab rear wall
- Electric windows and electrically adjusting rear view mirrors
- 7" Media system
- Mechanical tilting sunroof



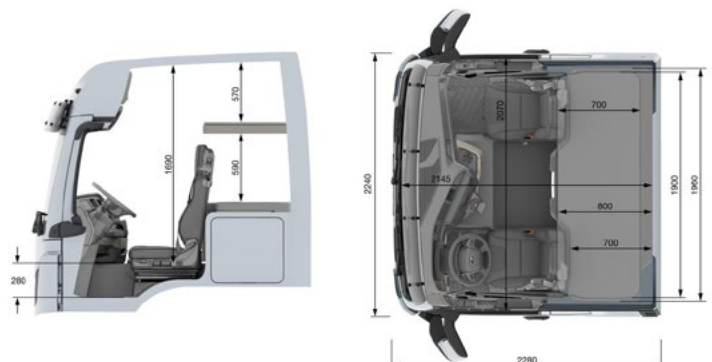
Cab Type - 'TN' Normal Height Sleeper

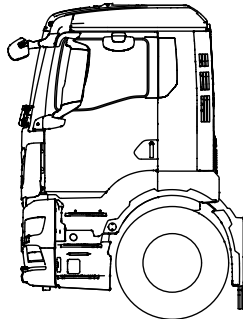
- Comfort driver seat with air suspension
- Adjustable co-driver seat
- Generous single bunk with 90 mm foam mattress
- Two exterior storage lockers – both accessible from inside
- 4 point cab suspension on coil springs
- Central locking
- Under bunk storage box
- Electric windows and electrically adjusting rear view mirrors
- 7" Media system
- All-round curtains
- Night heater
- Mechanical tilting sunroof



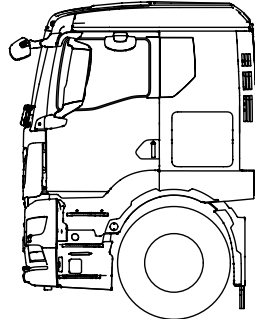
Cab Type - 'TM' Medium Height Sleeper

- Comfort driver seat with air suspension
- Adjustable co-driver seat
- Generous single bunk with 90mm foam mattress
- Two exterior storage lockers – both accessible from inside
- 4 point cab suspension on coil springs
- Central locking
- Under bunk storage box
- Over head storage with 3 compartments
- Electric windows and electrically adjusting rear view mirrors
- 7" Media system
- All-round curtains
- Night heater
- Mechanical tilting sunroof

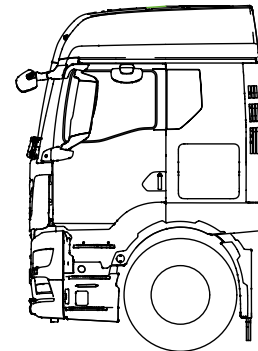




NN Cab



TN Cab



TM Cab

STANDARD EQUIPMENT

Exterior

- Cab colour - Pure white RAL 9016:
(Lower cab parts in standard factory grey including bumper, wings and step area)
- Rear view and wide angle mirrors
- Kerb and front view mirrors
- Mechanical cab suspension
- Hydraulic tilt to 62 degrees
- Under bumper air dam
- Central locking
- Adjustable air management kit with side deflectors
(tractor models only - refer to spec sheet)
- Vehicle toolkit

Interior

- Moon Grey cab interior
- DSRC Digital tachograph with remote download
- MAN media system, 7"
- Bluetooth connectivity
- Internal folding sunvisor
- Rubber floor covering
- Soft trim roof liner
- Soft trim interior
- Washable door panels
- Driving hours indicator in the instrumentation
- Electric windows
- Auxiliary 12v/24v sockets
- Reading lights in bunk area
(sleeper cab models only)

Safety

- Seat belts for all seats
- Seatbelt warning for first row of seats
- Head restraints for all seats
- Entry lighting
- Non slip entry steps
- Multifunction steering wheel
- Cruise control
- Electronic parking brake (dashboard mounted)

Storage

- Header rail storage
- Storage pockets in both doors
- Storage pockets on rear cab wall
- Under bunk storage (sleeper cab only)
- 2 external lockers - both accessible from inside

Heating & Ventilation

- Heating system with variable fan speed control

Seats

- Adjustable High back driver seat with cloth trim
- Adjustable High back co-driver seat with cloth trim

Windows

- Laminated tinted windscreen

OPTIONAL EQUIPMENT

Exterior	NN	TN	TM
Electrically adjustable & heated rear view mirrors	S	S	S
MAN Optiview mirrorless system	O	O	O
Remote central locking	O	O	O
Twin air horns on cab roof	O	O	O
External sun visor	O	O	O
Steel front bumper	O	O	O
Adjustable roof spoiler	O	O	O
Full aero package with spoiler and side deflectors (Chassis models)	-	O	O

Interior	NN	TN	TM
Chrome interior styling	O	O	O
MAN Media system, 7"	S	S	S
MAN Advanced media system, 7"	O	O	O
MAN Advanced media system, navigation, 7"	O	O	O
Professional instrumentation, 12.3"	O	O	O
MAN Smart Select infotainment control	O	O	O
MAN Advanced sound system with subwoofer	-	O	O
Pull out tray table on co-driver's side	O	O	O
Co-driver foot rest	O	O	O
Glass sunroof	O	O	O
110 mm comfort bed mattress	-	O	O
Second bunk	-	-	O

Safety	NN	TN	TM
Combined fog and spot lamps	O	O	O
Driver's airbag	O	O	O
Electronic park brake (dashboard mounted)	S	S	S
LED headlamps	O	O	O
Automatic wiper activation	O	O	O
Headlamp washer system	O	O	O
Fire extinguisher	O	O	O
Automatic headlights with light sensor	O	O	O
Assisted high-beam headlights	O	O	O
Turn Assist	O	O	O
Lane Change Support and Turn Assist	O	O	O
Lane Return Assist	O	O	O
ACC Stop & Go	O	O	O
Lane Change Collision Prevention Assist	O	O	O
MAN CruiseAssist	O	O	O

Storage	NN	TN	TM
Centre storage box	O	S	S
Pull out fridge	-	O	O

Heating & Ventilation	NN	TN	TM
Night heater	O	S	S
Air conditioning with automatic temp control	O	O	O
Climate control	O	O	O

Seats	NN	TN	TM
Air suspended driver seat	S	S	S
Air suspended driver seat with lumbar support and shoulder adjustment	O	O	O
Comfort seat covers	O	S	S
Part leather seat covers	-	O	O
Air suspended co-driver seat	O	O	O
Air suspended co-driver seat with lumbar support and shoulder adjustment	O	O	O
Folding co-driver's seat	O	O	O
Folding and turning co-driver's seat	-	O	O
2nd co-driver's seat (middle)	O	-	S

Windows	NN	TN	TM
Windows in rear of cab wall	O*	O	O
Electric roller blind for windscreen	-	O	O
Roller blind for driver's Door	S	S	S
Roller blind for passenger Door	O	O	O
Heated laminated tinted windscreen	O	O	O
Curtains at rear windows	-	O	-

S = Standard O = Optional *Standard on construction models

MAN Truck & Bus UK Ltd.,
 Frankland Road, Blagrove,
 Swindon. Wiltshire SN5 8YU
www.mantruckandbus.co.uk

Ref: MAN TGS Cab Spec / 07
 Issue Date: May 2022
 Technical illustrations are not binding.
 Front cover picture may not be standard equipment.
 We reserve the right to make modifications in line with technical progress.