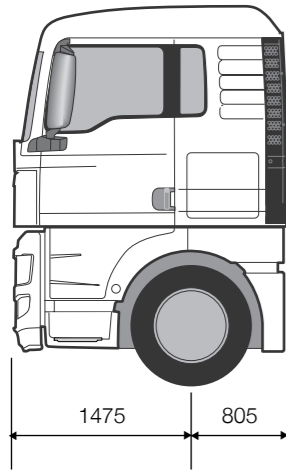


TGX 6x4 Tractor

Cab Options

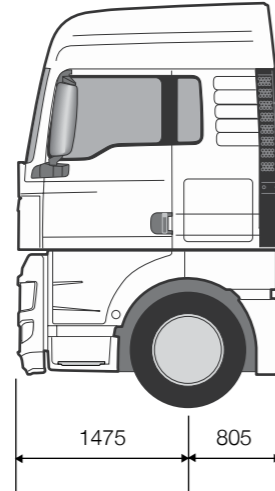
'XL' Sleeper - Standard

Additional weight: 0 kg



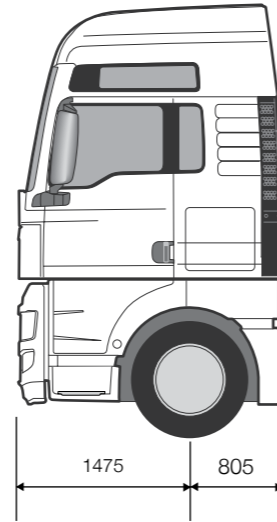
'XLX' Sleeper

Additional weight: 40 kg



'XXL' Sleeper

Additional weight: 85 kg



MAN Truck & Bus UK Ltd.,
Frankland Road, Blagrove,
Swindon, Wiltshire SN5 8YU
www.mantruckandbus.co.uk

Ref: MAN TGX D38 6X4TRAC / 08
Issue Date: October 2019
Technical illustrations are not binding. Picture on front cover may not be standard equipment
We reserve the right to make modifications in line with technical progress.

TGX D38 6x4 Tractor

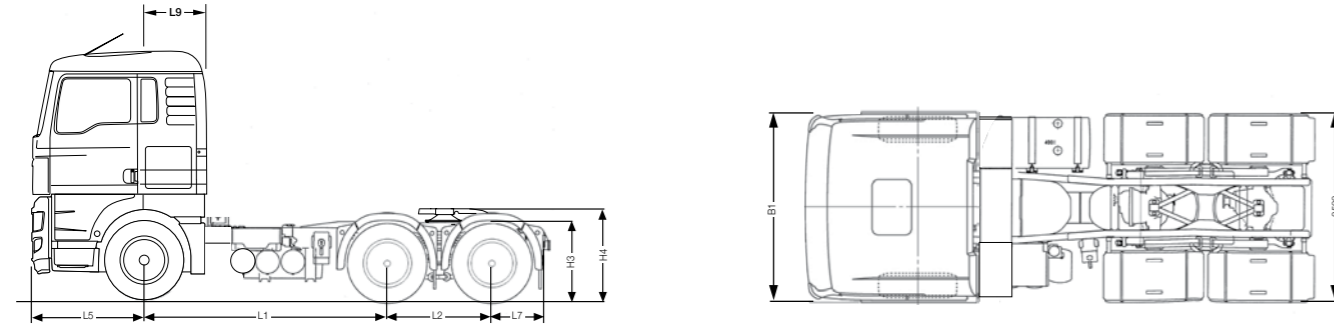
Chassis Specification: TGX 26.540 6x4 BLS
TGX 26.580 6x4 BLS
TGX 26.640 6x4 BLS



TGX D38 6x4 Tractor

Base Cab Model TGX 'XL' Cab

For cab variants, options and specifications see separate 'TGX Cab Specification' sheet



Vehicle Dimensions (mm)

Dimension	3300	3600	3900
L1 Wheelbase	3300	3600	3900
L2 Rear bogie spread	1350*	1350*	1350*
L5 Front overhang	1475	1475	1475
L7 Rear overhang	750*	750*	750*
L9 Centre line front axle to back of cab	805	805	805
B1 Width across wings	2500	2500	2500
H3 Fifth wheel flitch height at centre rear wheels	- laden 1037	1037	1037
	- unladen 1157/1067*	1157/1067*	1157/1067*
H4 Standard fifth wheel height	- laden 1262	1262	1262
	- unladen 1382/1292*	1382/1292*	1382/1292*

Turning Circle

WTW Wall to Wall	17900	18900	19800
KTK Kerb to Kerb	16200	17200	18100
Optimum 5th wheel position for standard specification	1125	1175	1225

* Dimensions with rear bogie air suspension.

Unladen Weights (kg +/- 2.5%)

Front axle	5440	5470	5490
Rear bogie	3990	3975	3975
Total	9430	9445	9465

N.B. Unladen weights are for vehicle in standard specification with full tank of fuel and AdBlue® but without driver.

Plated/Operating Weights (kg)

	Design	UK Legal
This model can operate up to 80000 kg in STGO Cat 2		
GCW Gross Combination Weight	44000	40000/44000 ⁽²⁾
GVW Gross Vehicle Weight	26000	26000/25000 ⁽²⁾
Front axle	8000	8000
Rear bogie	20000	19000 ⁽¹⁾ /17000 ⁽²⁾

N.B. Tyre changes can effect legal weights. ⁽¹⁾ At 40000 kg or below on steel suspension. ⁽²⁾ Above 40000 kg on steel suspension.

⁽³⁾ Alternative Front Axle capacities available: 9000 kg

Optional Equipment & Weights (kg)

	Front	Rear	Total		Front	Rear	Total
HPD1353/HP1333 hub reduction drive axles*	0	+75	+75	385/65R Super Single Tyres on	+38	0	+38
16 Speed manual gearbox	+30	+20	+50	11.75x22.5 steel rims on front			
PTO NH/4	+4	+3	+7	'XLX' Sleeper cab	+40	0	+40
Alloy Air Tanks	-5	-10	-15	'XXL' Sleeper cab	+85	0	+85
3 Piece Steel Bumper	+105	-30	+75	Air management kit	+75	0	+75
9000 kg parabolic front spring	+14	0	+14				

All weights indicated above are subject to +/- 2.5% manufacturer's tolerance.

TGX D38 6x4 Tractor



Engine Model - Euro 6

	D3876LF12	D3876LF11	D3876LF10
Engine Power (PS)	540	580	640
Rated Speed (rpm)	1800	1800	1800
Torque (Nm)	2700	2900	3000
Torque Range (rpm)	900 - 1380	900 - 1380	900 - 1400
Cylinders	6	6	6
Capacity (cc)	15256	15256	15256

Features

- Exhaust Gas Recirculation and Selective Catalytic Reduction
- Common Rail EDC
- Cruise Control
- Exhaust valve brake
- Road speed limiter set to 89 kph
- OBD-D

Performance @44000 kg

Engine Power	Gearbox TipMatic®	Axle Ratio	Geared Road Speed (mph)	Engine RPM @55 mph	Engine RPM @50 mph	Starting Grade	Tyre Size
540PS	1229 DD	3.08:1	73	1400	1270	33%+	295/80R22.5
580PS	1229 DD	3.08:1	73	1400	1270	33%+	295/80R22.5
640PS	1229 DD	3.08:1	73	1400	1270	33%+	295/80R22.5

Clutch

Single plate 430mm diameter, reinforced asbestos free lining

Axles

Steer VOK-09 drop beam
Drive HDY-1370/HY-1350 single reduction drive axles with cross axle and inter axle diff locks

Braking System

Type Electronic Brake System (EBS) with Anti-lock Braking System (ABS)
Features Vented disc brakes, 2 line trailer brake connections and pad wear indicators
Parking Brake Spring brakes on rear axles

Gearbox

MAN TipMatic® 12 speed automated gearbox

Ratios

1	16.69	2	12.92
3	9.93	4	7.67
5	5.90	6	4.57
7	3.66	8	2.83
9	2.17	10	1.68
11	1.29	12	1.00
R	15.54		

Suspension

Steer Axle Parabolic Springs with Shock Absorbers and Stabiliser
Rear Bogie 8 x Air Bag Shock Absorbers and Stabiliser

Steering Gear

Type ZF Servocom hydraulically assisted

Exhaust System

Ground discharge silencer, incorporating diesel particulate filter (DPF)

Wheels & Tyres

Steer Axle	Tyres	315/80R22.5 steer tread
	Wheels	9.00x22.5
Drive Axle	Tyres	295/80R22.5 traction tread
	Wheels	9.00x22.5

General Equipment

60 litre AdBlue® tank
Electronic immobiliser
3 piece plastic rear wings and spray reduction mats
Mechanical battery master switch
Catwalk & Step
Fixed fifth wheel
Hoses and couplings including ABS lead
Coupling lamp
Remote control central locking
Heated water trap
Full bodybuilder and telemetry interface module
Bluetooth® interface
Lane Guard System (LGS)
Electronic Stability Programme (ESP)

Frame

Construction Bolted and Riveted
Material High tensile steel (S500MC)
Section 270 x 85 x 8mm
942 - 762mm waisted

Fuel Tank

Capacity 400 Litre
Section Rectangular Steel
RHS mounted
Locking cap

Electrical System

Type MANTronic CAN bus system with central on board computer and vehicle management computer
Voltage 24v
Alternator 120 Amp
Batteries 2 x 12v 225Ah