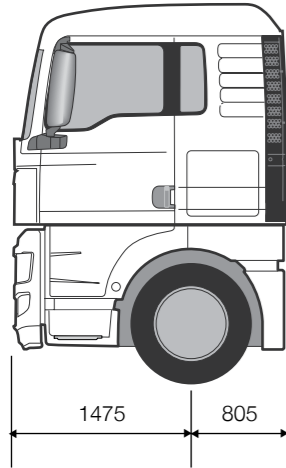


TGX 6x4 Tractor

Cab Options

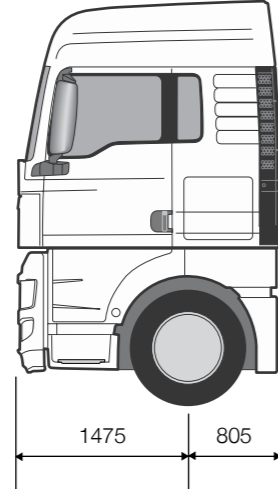
'XL' Sleeper - Standard

Additional weight: 0 kg



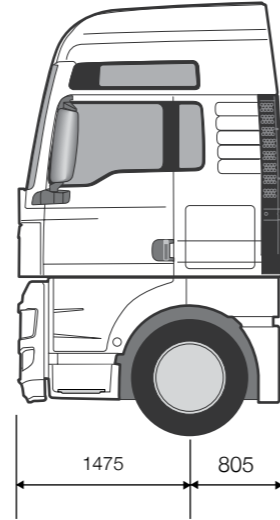
'XLX' Sleeper

Additional weight: 40 kg



'XXL' Sleeper

Additional weight: 85 kg



MAN Truck & Bus UK Ltd.,
Frankland Road, Blagrove,
Swindon, Wiltshire SN5 8YU
www.mantruckandbus.co.uk

Ref: MAN TGX 6X4TRAC / 08
Issue Date: October 2019

Technical illustrations are not binding. Picture on front cover may not be standard equipment.
We reserve the right to make modifications in line with technical progress.

TGX 6x4 Tractor

Chassis Specification: TGX 26.430 6x4 BLS
TGX 26.470 6x4 BLS
TGX 26.510 6x4 BLS

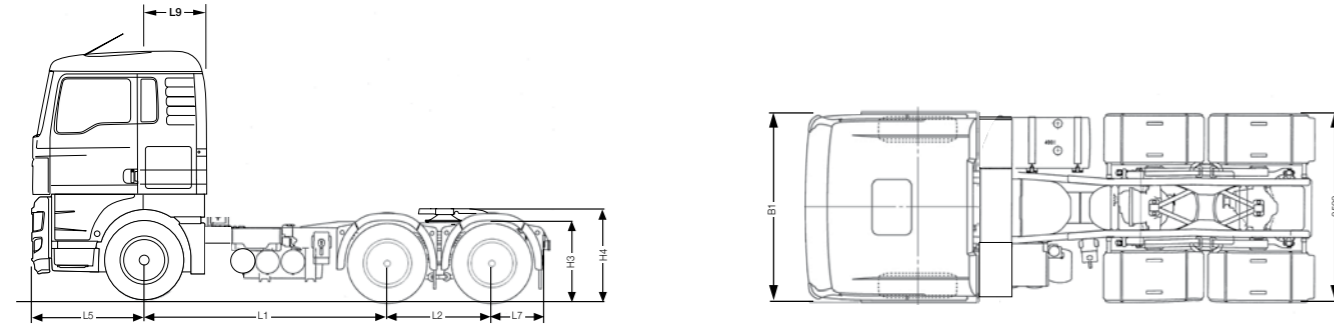


TGX 6x4 Tractor



Base Cab Model TGX 'XL' Cab

For cab variants, options and specifications see separate 'TGX Cab Specification' sheet



Vehicle Dimensions (mm)

Dimension	3300	3600	3900
L1 Wheelbase	3300	3600	3900
L2 Rear bogie spread	1400/1350*	1400/1350*	1400/1350*
L5 Front overhang	1475	1475	1475
L7 Rear overhang	700/750*	700/750*	700/750*
L9 Centre line front axle to back of cab	805	805	805
B1 Width across wings	2500	2500	2500
H3 Fifth wheel flitch height at centre rear wheels	- laden 1037 - unladen 1157/1067*	1037 1157/1067*	1037 1157/1067*
H4 Standard fifth wheel height	- laden 1262 - unladen 1382/1292*	1262 1382/1292*	1262 1382/1292*

Turning Circle

WTW Wall to Wall	17900	18900	19800
KTK Kerb to Kerb	16200	17200	18100
Optimum 5th wheel position for standard specification	1125	1175	1225

* Dimensions with rear bogie air suspension.

Unladen Weights (kg +/- 2.5%)

Front axle	5160	5190	5210
Rear bogie	4015	4000	4000
Total	9175	9190	9210

N.B. Unladen weights are for vehicle in standard specification with full tank of fuel and AdBlue®, but without driver.

Plated/Operating Weights (kg)

This model can operate up to 80000 kg in STGO Cat 2

	Design	UK Legal
GCW Gross Combination Weight	44000	40000/44000 ⁽²⁾
GVW Gross Vehicle Weight	26000	26000/25000 ⁽²⁾
Front axle	8000	8000
Rear bogie	20000	19000 ⁽¹⁾ /17000 ⁽²⁾

N.B. Tyre changes can effect legal weights. ⁽¹⁾ At 40000 kg or below on steel suspension. ⁽²⁾ Above 40000 kg on steel suspension.

⁽³⁾ Alternative Front Axle capacities available: 8000 kg; 9000 kg

Optional Equipment & Weights (kg)

	Front	Rear	Total		Front	Rear	Total
Rear bogie 8 bellow air suspension	0	-210	-210	9000 kg parabolic front spring	+14	0	+14
HPD1353/HP1333 hub reduction drive axles*	0	+75	+75	225 Ah Batteries	+30	0	+30
16 Speed manual gearbox	+30	+20	+50	385/65R Super Single Tyres on	+38	0	+38
PTO NH/4	+4	+3	+7	11.75x22.5 steel rims on front			
Alloy Air Tanks	-5	-10	-15	'XLX' Sleeper cab	+40	0	+40
3 Piece Steel Bumper	+105	-30	+75	'XXL' Sleeper cab	+85	0	+85
VOK-09 dropped beam front axle	+30	0	+30	Air management kit	+75	0	+75

All weights indicated above are subject to +/- 2.5% manufacturer's tolerance.

TGX 6x4 Tractor

Engine Model - Euro 6	D2676LF80	D2676LF79	D2676LF78
Engine Power (PS)	430	470	510
Rated Speed (rpm)	1800	1800	1800
Torque (Nm)	2200	2400	2600
Torque Range (rpm)	930 - 1350	930 - 1350	930 - 1350
Cylinders	6	6	6
Capacity (cc)	12419	12419	12419

Features

- Exhaust Gas Recirculation and Selective Catalytic Reduction
- Common Rail EDC
- Cruise Control
- Exhaust valve brake
- Road speed limiter set to 89 kph
- OBD-D

Performance @44000 kg

Engine Power	Gearbox TipMatic®	Axle Ratio	Geared Road Speed (mph)	Engine RPM		Starting Grade	Tyre Size
				@55 mph	@50 mph		
430PS	1226 DD	3.08:1	73	1400	1270	33%+	295/80R22.5
470PS	1226 DD	3.08:1	73	1400	1270	33%+	295/80R22.5
510PS	1226 DD	3.08:1	73	1400	1270	33%+	295/80R22.5

Clutch

Single plate 430mm diameter, reinforced asbestos free lining

Axles

Steer VOK-07 drop beam
Drive HDY-1160/HY-1133 single reduction drive axles with cross axle and inter axle diff locks

Braking System

Type Electronic Brake System (EBS) with Anti-lock Braking System (ABS)

Features Vented disc brakes*, 2 line trailer brake connections and pad wear indicators

Parking Brake Spring brakes on rear axles

* Drum brakes on Hub Reduction axles

Gearbox

MAN TipMatic® 12 speed automated gearbox

Ratios

1	16.69	2	12.92
3	9.93	4	7.67
5	5.90	6	4.57
7	3.66	8	2.83
9	2.17	10	1.68
11	1.29	12	1.00
R	15.54		

Suspension

Steer Axle Parabolic Springs with Shock Absorbers and Stabiliser
Rear Bogie Parabolic Springs with Shock Absorbers and Stabiliser

Steering Gear

Type ZF Servocom hydraulically assisted

Exhaust System

Ground discharge silencer, incorporating diesel particulate filter (DPF)

Wheels & Tyres

Steer Axle Tyres 315/80R22.5 steer tread
Wheels 9.00x22.5
Drive Axle Tyres 295/80R22.5 traction tread
Wheels 9.00x22.5

General Equipment

60 litre AdBlue® tank
Electronic immobiliser
3 piece plastic rear wings and spray reduction mats
Mechanical battery master switch
Catwalk & Step
Fixed fifth wheel
Hoses and couplings including ABS lead
Coupling lamp
Remote control central locking
Heated water trap
Full bodybuilder and telemetry interface module
Bluetooth® interface
Lane Guard System (LGS)
Electronic Stability Programme (ESP)

Frame

Construction Bolted and Riveted
Material High tensile steel (S500MC)
Section 270 x 85 x 8mm
942 - 762mm waisted

Electrical System

Type MANTronic CAN bus system with central on board computer and vehicle management computer
Voltage 24v
Alternator 120 Amp
Batteries 2 x 12v 175Ah

Fuel Tank

Capacity 400 Litre
Section Rectangular Steel
RHS mounted
Locking cap