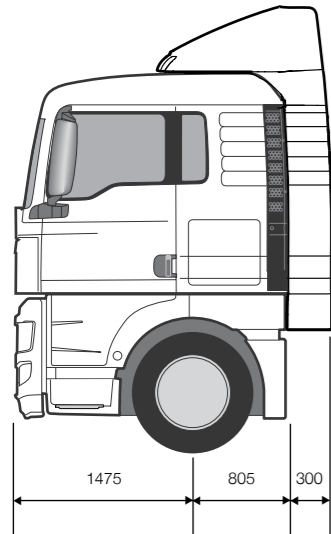


TGX 6x2 Midlift Lite Tractor

Cab Options

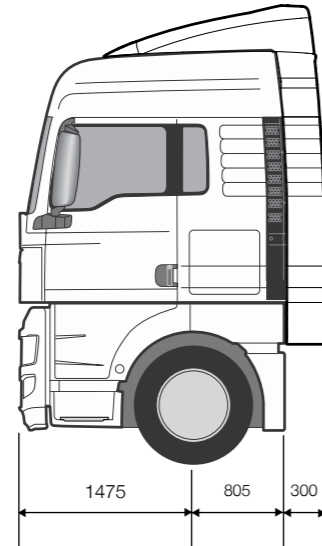
'XL' Sleeper - Standard

Additional weight: 0 kg



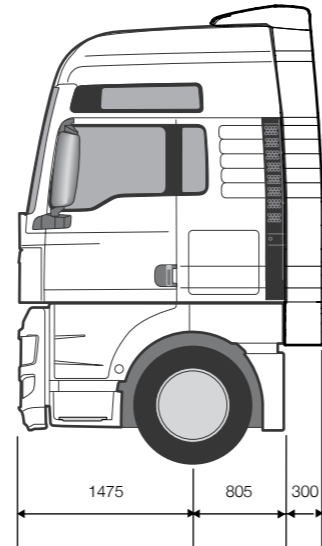
'XLX' Sleeper

Additional weight: 40 kg



'XXL' Sleeper

Additional weight: 85 kg



MAN Truck & Bus UK Ltd.,
Frankland Road, Blagrove,
Swindon, Wiltshire SN5 8YU
www.mantruckandbus.co.uk

Ref: MAN TGX 6X2MIDLIT / 08
Issue Date: October 2019
Technical illustrations are not binding. Picture on front cover may not be standard equipment
We reserve the right to make modifications in line with technical progress.

TGX 6x2 Midlift Lite Tractor

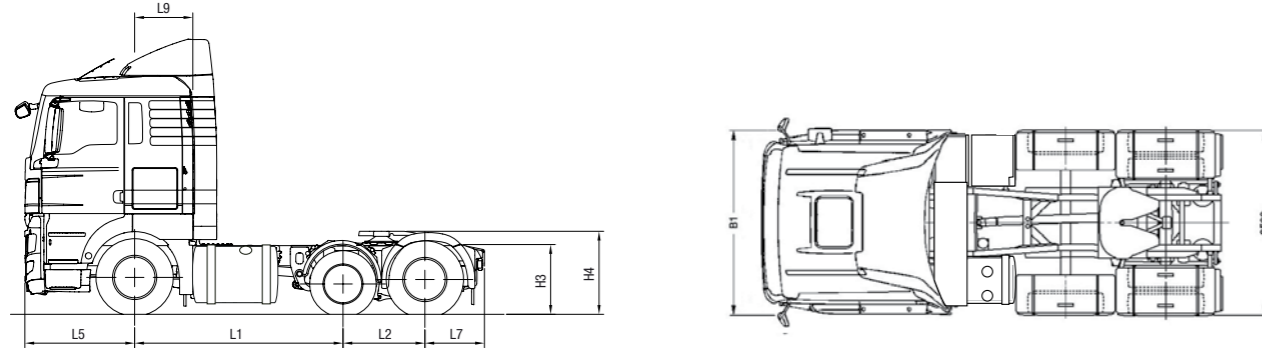
Chassis Specification: TGX 24.430 6x2/2 BLS
TGX 24.470 6x2/2 BLS
TGX 24.510 6x2/2 BLS



TGX 6x2 Midlift Lite Tractor

Base Cab Model TGX 'XL' Cab

For cab variants, options and specifications see separate 'TGX Cab Specification' sheet



Vehicle Dimensions (mm)

L1	Wheelbase	2800
L2	Rear bogie spread	1100
L5	Front overhang	1475
L7	Rear overhang	800
L9	Centre line front axle to back of cab	805
B1	Width across wings	2500
H3	Fifth wheel flitch height at centre rear wheels	- laden 926 - unladen 956
H4	Standard fifth wheel height	- laden 1189 - unladen 1219

Turning Circle

WTW	Wall to Wall	15600
KTK	Kerb to Kerb	13900
	Optimum 5th wheel position for standard specification	885

Unladen Weights (kg +/- 2.5%)

Front axle	5010
Rear axle	2920
Total	7930

N.B. Unladen weights are for vehicle in standard specification with full tank of fuel and AdBlue® but without driver.

Plated/Operating Weights (kg)

	Design	UK Legal	
GCW	Gross Combination Weight	44000	40000 ⁽¹⁾ /44000 ⁽²⁾
GVW	Gross Vehicle Weight	23000	23000
Front axle		7500 ⁽³⁾	7500 ⁽³⁾
Midlift axle		5500	5200 ⁽¹⁾ /5000 ⁽²⁾
Drive axle		11500	10800 ⁽¹⁾ /10500 ⁽²⁾

N.B. Tyre changes can effect legal weights. ⁽¹⁾ @ 40000 kg or below ⁽²⁾ above 40000 kg. ⁽³⁾ Alternative Front Axle capacity available: 8000 kg.

Optional Equipment & Weights (kg)

	Front	Rear	Total		Front	Rear	Total
Fixed 5th wheel	+12	-61	-49	3 piece steel bumper	+105	-30	+75
16 Speed manual gearbox	+30	+20	+50	225 Ah Batteries	+30	0	+30
PTO NH/4	+4	+3	+7	'XLX' Sleeper cab	+40	0	+40
PTO N221/10	+8	+7	+15	'XXL' Sleeper cab	+85	0	+85
Alloy Air Tanks	-4	-11	-15	ADR Preparation	+30	+10	+40
9.00 x 22.5 Alcoa Alloy Wheels	-38	-102	-140				

All weights indicated above are subject to +/- 2.5% manufacturer's tolerance.

TGX 6x2 Midlift Lite Tractor



Engine Model - Euro 6

	D2676LF80	D2676LF79	D2676LF78
Engine Power (PS)	430	470	510
Rated Speed (rpm)	1800	1800	1800
Torque (Nm)	2200	2400	2600
Torque Range (rpm)	930 - 1350	930 - 1350	930 - 1350
Cylinders	6	6	6
Capacity (cc)	12419	12419	12419

Features

- Exhaust Gas Recirculation and Selective Catalytic Reduction
- Common Rail EDC
- Cruise Control
- Exhaust valve brake
- Road speed limiter set to 89 kph
- OBD-D

Performance @44000 kg

Engine Power	Gearbox TipMatic®	Axle Ratio	Geared Road Speed (mph)	Engine RPM		Starting Grade	Tyre Size
				@55 mph	@50 mph		
430PS	1226 DD	2.53:1	85	1200	1090	33%+	315/70R22.5
470PS	1226 DD	2.53:1	85	1200	1090	33%+	315/70R22.5
510PS	1226 DD	2.53:1	85	1200	1090	33%+	315/70R22.5

Clutch

Single plate 430mm diameter, asbestos free lining

Axles

Steer	VOK-07 drop beam
Midlift Axle	LO-06 non steering
Drive Axle	HY-1350 single reduction

Braking System

Type Electronic Brake System (EBS) with Anti-lock Braking System (ABS) and ASR traction control, including Emergency Brake Assist (EBA)

Features Vented disc brakes, 2 line trailer brake connections and pad wear indicators

Parking Brake Spring brakes on rear axles

Gearbox

MAN TipMatic® 12 speed automated gearbox

Ratios

1	16.69	2	12.92
3	9.93	4	7.67
5	5.9	6	4.57
7	3.66	8	2.83
9	2.17	10	1.68
11	1.29	12	1.00
R	15.54		

Suspension

Steer Axle	Parabolic Springs Hydraulic Dampers Stabiliser
Midlift Axle	2 Bag Air Hydraulic Dampers Air Operated Lift
Drive Axle	ECAS Controlled 4 Bag Air Hydraulic Dampers 4-Point Control Arm

Steering Gear

Type ZF Servocom hydraulically assisted

Exhaust System

Ground discharge silencer, incorporating diesel particulate filter (DPF)

Wheels & Tyres

Steer Axle	Tyres	315/70R22.5 steer tread
	Wheels	9.00x22.5
Midlift Axle	Tyres	285/70R22.5 steer tread
	Wheels	7.50x19.5
Drive Axle	Tyres	315/70R22.5 traction tread
	Wheels	9.00x22.5

General Equipment

- 24 litre AdBlue® tank
- Electronic immobiliser
- Adjustable air management kit with cab side deflectors
- Sliding fifth wheel including lead up ramps
- 3 piece plastic rear wings and spray reduction mats
- Mechanical battery master switch
- Catwalk
- Hoses and couplings including ABS lead
- Coupling lamp
- Rear axle diff lock
- Remote control central locking
- Heated water trap
- Full bodybuilder and telemetry interface module
- Bluetooth® interface
- Lane Guard System (LGS)
- Electronic Stability Programme (ESP)

Frame

Construction	Bolted and Riveted
Material	High tensile steel (S500MC)
Section	270 x 85 x 8mm 942 - 762mm waisted

Fuel Tank

Capacity	450 Litre
Section	Rectangular Aluminium with Integral Step LHS mounted Locking cap

Electrical System

Type	MANTronic CAN bus system with central on board computer and vehicle management computer
Voltage	24v
Alternator	120 Amp
Batteries	2 x 12v 175Ah