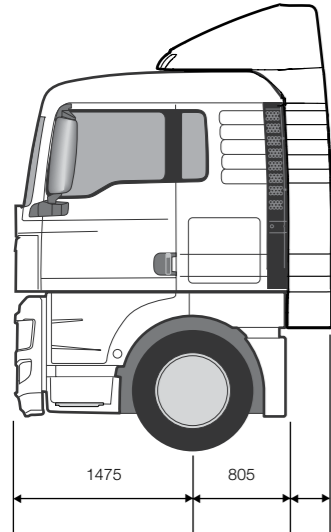


TGX 4x2 TractorCab Options

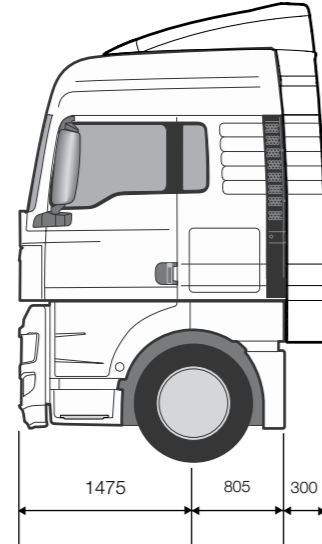
'XL' Sleeper - Standard

Additional weight: 0 kg



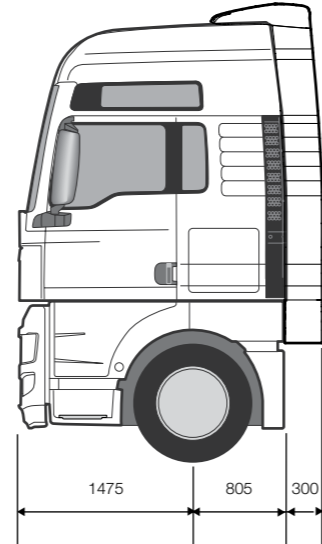
'XLX' Sleeper

Additional weight: 40 kg



'XXL' Sleeper

Additional weight: 85 kg



MAN Truck & Bus UK Ltd.,
Frankland Road, Blagrove,
Swindon, Wiltshire SN5 8YU
www.mantruckandbus.co.uk

Ref: MAN TGX 4X2TRAC / 08
Issue Date: October 2019
Technical illustrations are not binding. Picture on front cover may not be standard equipment
We reserve the right to make modifications in line with technical progress.

TGX 4x2 Tractor

Chassis Specification: TGX 18.430 4x2 BLS
TGX 18.470 4x2 BLS
TGX 18.510 4x2 BLS



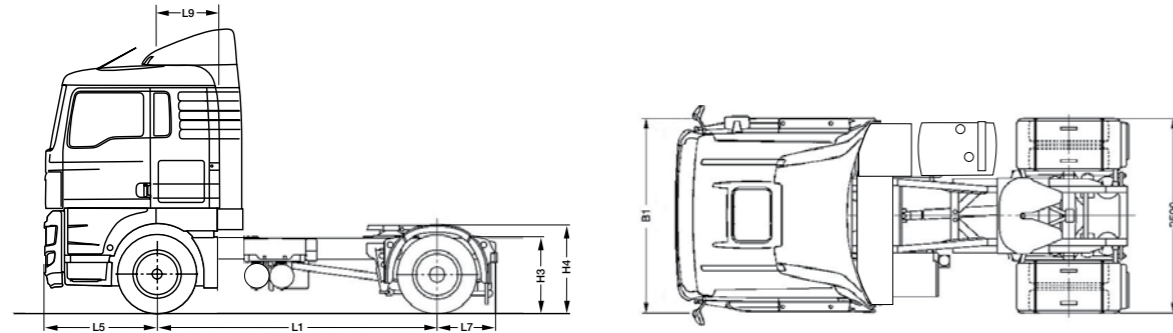
TGX 4x2 Tractor

TGX 4x2 Tractor



Base Cab Model TGX 'XL' Cab

For cab variants, options and specifications see separate 'TGX Cab Specification' sheet



Vehicle Dimensions (mm)

Dimension	Value	Value
L1 Wheelbase	3600	3900
L5 Front overhang	1475	1475
L7 Rear overhang	800	800
L9 Centre line front axle to back of cab	805	805
B1 Width across wings	2500	2500
H3 Fifth wheel flitch height at centre rear wheels	- laden 926	926
	- unladen 956	956
H4 Standard fifth wheel height	- laden 1211	1211
	- unladen 1241	1241

Turning Circle

WTW Wall to Wall	14800	15700
KTK Kerb to Kerb	13900	13900
Optimum 5th wheel position for standard specification	585	885

Unladen Weights (kg +/- 2.5%)

Front axle	5090	5090
Rear axle	1980	1995
Total	7070	7075

N.B. Unladen weights are for vehicle in standard specification with full tank of fuel and AdBlue® but without driver.

Plated/Operating Weights (kg)

	Design	UK Legal
GCW Gross Combination Weight	44000	40000
GVW Gross Vehicle Weight	18000	18000
Front axle	7500 ⁽¹⁾	7500 ⁽¹⁾
Rear axle	11500	11500

N.B. Tyre changes can effect legal weights. ⁽¹⁾ Alternative Front Axle capacities available: 8000 kg; 9000 kg

Optional Equipment & Weights (kg)

	Front	Rear	Total		Front	Rear	Total
Sliding 5th wheel	-10	+59	+49	3 piece steel bumper	+105	-30	+75
16 Speed manual gearbox	+30	+20	+50	'XLX' Sleeper cab	+40	0	+40
PTO NH/4	+4	+3	+7	'XXL' Sleeper cab	+85	0	+85
Alloy Air Tanks	-6	-4	-10	Side skirts	+28	+28	+56
9.00 x 22.5 Alcoa Alloy Wheels	-38	-76	-114	ADR Preparation	+40	0	+40
225 Ah Batteries	+30	0	+30				

All weights indicated above are subject to +/- 2.5% manufacturer's tolerance.

Engine Model - Euro 6

	D2676LF80	D2676LF79	D2676LF78
Engine Power (PS)	430	470	5100
Rated Speed (rpm)	1800	1800	1800
Torque (Nm)	2200	2400	2600
Torque Range (rpm)	930 - 1350	930 - 1350	930 - 1350
Cylinders	6	6	6
Capacity (cc)	12419	12419	12419

Features

- Exhaust Gas Recirculation and Selective Catalytic Reduction
- Common Rail EDC
- Cruise Control
- Exhaust valve brake
- Road speed limiter set to 89 kph
- OBD-D

Performance @40000 kg

Engine Power	Gearbox TipMatic®	Axle Ratio	Geared Road Speed (mph)	Engine RPM		Starting Grade	Tyre Size
				@55 mph	@50 mph		
430PS	1427 DD	2.53:1	85	1190	1090	33%+	315/70R22.5
470PS	1427 DD	2.53:1	85	1200	1090	33%+	315/70R22.5
510PS	1427 DD	2.53:1	85	1200	1090	33%+	315/70R22.5

Clutch

Single plate 430mm diameter, asbestos free lining

Axles

Steer VOK-07 drop beam
Drive HY-1350 single reduction

Type Electronic Brake System (EBS) with Anti-lock Braking System (ABS) and ASR traction control, including Emergency Brake Assist (EBA)

Features Vented disc brakes, 2 line trailer brake connections and pad wear indicators

Parking Brake Spring brakes on rear axle

Gearbox

MAN TipMatic® 14 speed automated gearbox

Ratios

1	16.41	2	13.28
3	11.32	4	9.16
5	7.19	6	5.82
7	4.63	8	3.75
9	3.02	10	2.44
11	1.92	12	1.55
13	1.24	14	1.0
R	14.77		

Suspension

Steer Axle Parabolic Springs with Shock Absorbers and Stabiliser
Drive Axle ECAS Controlled 4 Bag Air Hydraulic Dampers Stabiliser

Type ZF Servocom hydraulically assisted

Exhaust System

Ground discharge silencer, incorporating diesel particulate filter (DPF)

Wheels & Tyres

Steer Axle	Tyres	315/70R22.5
	Wheels	steer tread 9.00x22.5
Drive Axle	Tyres	315/70R22.5
	Wheels	traction tread 9.00x22.5

General Equipment

60 litre AdBlue® tank
Electronic immobiliser
Adjustable air management kit with cab side deflectors
Fixed fifth wheel and base plate
3 piece plastic rear wings and spray reduction mats
Mechanical battery master switch
Catwalk
Hoses and couplings including ABS lead
Coupling lamp
Rear axle diff lock
Remote control central locking
Heated water trap
Full bodybuilder and telemetry interface module
Bluetooth® interface
Lane Guard System (LGS)
Electronic Stability Programme (ESP)

Frame

Construction Bolted and Riveted
Material High tensile steel (S500MC)
Section 270 x 85 x 8mm
942 - 762mm waisted

Electrical System

Type MANTronic CAN bus system with central on board computer and vehicle management computer
Voltage 24v
Alternator 120 Amp
Batteries 2 x 12v 175Ah

Fuel Tank

Capacity 400 Litre
Section Rectangular Steel
RHS mounted
Locking cap