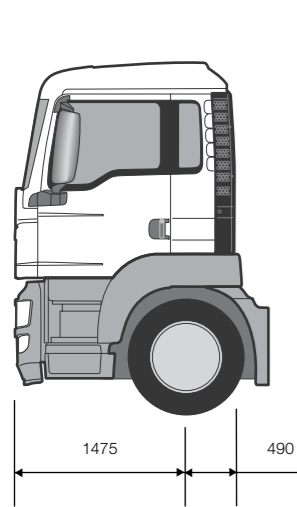


TGS 6x4 Tractor

Cab Options

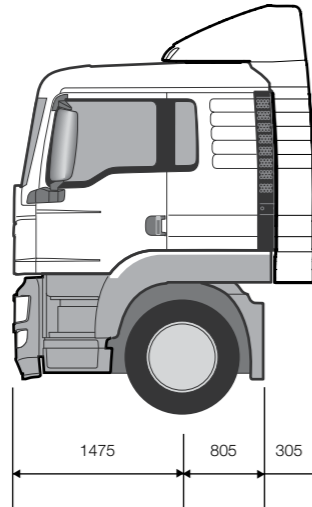
'M' Day Cab

Additional weight: -225 kg



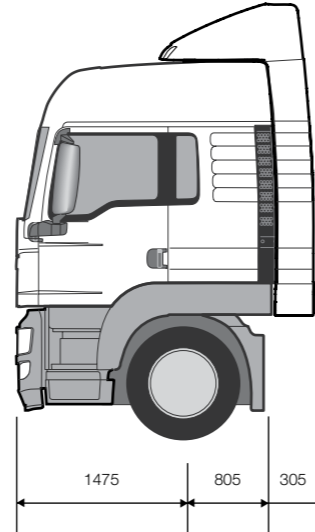
'L' Sleeper - Standard

Additional weight: 0 kg



'LX' Sleeper

Additional weight: 20 kg



MAN Truck & Bus UK Ltd.,
Frankland Road, Blagrove,
Swindon, Wiltshire SN5 8YU
www.mantruckandbus.co.uk

Ref: MAN TGS 6X4TRAC / 08
Issue Date: October 2019
Technical illustrations are not binding. Picture on front cover may not be standard equipment
We reserve the right to make modifications in line with technical progress.

TGS 6x4 Tractor

Chassis Specification: TGS 26.430 6x4 BBS
TGS 26.470 6x4 BBS
TGS 26.510 6x4 BBS

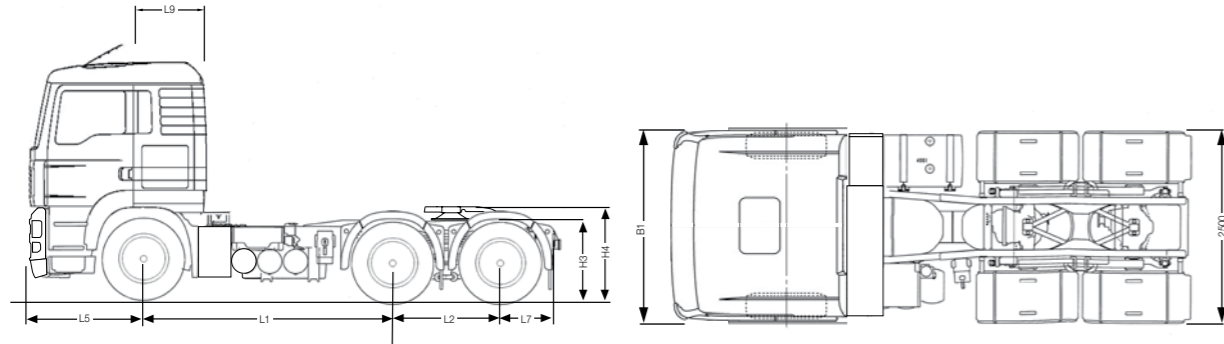


TGS 6x4 Tractor



Base Cab Model TGS 'L' Cab

For cab variants, options and specifications see separate 'TGS Cab Specification' sheet



Vehicle Dimensions (mm)

Dimension	3300	3600	3900
L1 Wheelbase	3300	3600	3900
L2 Rear bogie spread	1400/1350*	1400/1350*	1400/1350*
L5 Front overhang	1475	1475	1475
L7 Rear overhang	700/750*	700/750*	700/750*
L9 Centre line front axle to back of cab	805	805	805
B1 Width across wings	2490	2490	2490
H3 Fifth wheel flitch height at centre rear wheels	- laden 1037 - unladen 1157/1067*	1037 1157/1067*	1037 1157/1067*
H4 Standard fifth wheel height	- laden 1262 - unladen 1382/1292*	1262 1382/1292*	1262 1382/1292*

* Dimensions with rear bogie air suspension.

Turning Circle

WTW Wall to Wall	17900	18900	19800
KTK Kerb to Kerb	17900	17200	18100
Optimum 5th wheel position for standard specification	1125	1175	1225

Unladen Weights (kg +/- 2.5%)

Front axle	5030	5070	5085
Rear bogie	3805	3795	3795
Total	8835	8865	8880

N.B. Unladen weights are for vehicle in standard specification with full tank of fuel and AdBlue® but without driver.

Plated/Operating Weights (kg)

	Design	UK Legal
GCW Gross Combination Weight	44000	40000/44000 ⁽²⁾
GVW Gross Vehicle Weight	26000	26000/25000 ⁽²⁾
Front axle	7500 ⁽³⁾	7500 ⁽³⁾
Rear bogie	20000	19000 ⁽¹⁾ /17000 ⁽²⁾

N.B. Tyre changes can effect legal weights. ⁽¹⁾ At 40000 kg or below on steel suspension. ⁽²⁾ Up to 44000 kg on steel suspension.

⁽³⁾ Alternative Front Axle capacities available: 8000 kg; 9000 kg.

Optional Equipment & Weights (kg)

	Front	Rear	Total		Front	Rear	Total
Rear bogie 8 bellow air suspension	0	-210	-210	9000 kg parabolic front spring	+14	0	+14
HPD1353/HP1333 hub reduction drive axles	0	+75	+75	225 Ah Batteries	+30	0	+30
16 Speed manual gearbox	+30	+20	+50	385/65R Super Single Tyres on			
PTO NH/4	+4	+3	+7	11.75x22.5 steel rims on front	+38	0	+38
Alloy Air Tanks	-5	-10	-15	'M' Day cab	-155	0	-155
3 Piece Steel Bumper	+86	-22	+64	'LX' Sleeper cab	+20	0	+20
Air Conditioning	+40	0	+40	Air management kit	+75	0	+75
VOK-09 dropped beam front axle	+30	0	+30				

All weights indicated above are subject to +/- 2.5% manufacturer's tolerance.

TGS 6x4 Tractor

Engine Model - Euro 6

	D2676LF80	D2676LF79	D2676LF78
Engine Power (PS)	430	470	510
Rated Speed (rpm)	1800	1800	1800
Torque (Nm)	2200	2400	2600
Torque Range (rpm)	930 - 1350	930 - 1350	930 - 1350
Cylinders	6	6	6
Capacity (cc)	12419	12419	12419

Features

- Exhaust Gas Recirculation and Selective Catalytic Reduction
- Common Rail EDC
- Cruise Control
- Exhaust valve brake
- Road speed limiter set to 89 kph
- OBD-D

Performance @44000 kg

Engine Power	Gearbox TipMatic®	Axle Ratio	Geared Road Speed (mph)	Engine RPM @55 mph	Engine RPM @50 mph	Starting Grade	Tyre Size
430PS	1226 DD	3.08:1	73	1400	1270	33%+	295/80R22.5
470PS	1226 DD	3.08:1	73	1400	1270	33%+	295/80R22.5
510PS	1226 DD	3.08:1	73	1400	1270	33%+	295/80R22.5

Clutch

Single plate 430mm diameter, asbestos free lining

Axles

Steer VOK-07 drop beam
Drive HDY-1160/HY-1133 single reduction with cross axle and inter axle diff locks

Braking System

Type Electronic Brake System (EBS) with Anti-lock Braking System (ABS)

Features Vented disc brakes*, 2 line trailer brake connections and pad wear indicators

Parking Brake Spring brakes on rear axles

* Drum brakes on Hub Reduction axles

Gearbox

MAN TipMatic® 12 speed automated gearbox

Ratios

1	16.69	2	12.92
3	9.93	4	7.67
5	5.9	6	4.57
7	3.66	8	2.83
9	2.17	10	1.68
11	1.29	12	1.00
R1	15.54		

Suspension

Steer Axle Parabolic Springs with Shock Absorbers and Stabiliser

Drive Axle Parabolic Springs with Shock Absorbers and Stabiliser

Steering Gear

Type ZF Servocom hydraulically assisted

Exhaust System

Ground discharge silencer, incorporating diesel particulate filter (DPF)

General Equipment

60 litre AdBlue® tank
Electronic immobiliser
3 piece plastic rear wings and spray reduction mats

Mechanical battery master switch

Catwalk & Step

Fixed fifth wheel

Hoses and couplings including ABS lead

Coupling lamp

Heated water trap

Full bodybuilder and telemetry interface module

Lane Guard System (LGS)

Electronic Stability Programme (ESP)

Frame

Construction Bolted and Riveted
Material High tensile steel (S500MC)
Section 270 x 85 x 8mm
942 - 762mm waisted

Wheels & Tyres

Steer Axle Tyres 315/80R22.5 steer tread
Wheels 9.00x22.5
Drive Axle Tyres 295/80R22.5 traction tread
Wheels 9.00x22.5

Electrical System

Type MANTronic CAN bus system with central on board computer and vehicle management computer

Voltage 24v

Alternator 120 Amp

Batteries 2 x 12v 175Ah

Fuel Tank

Capacity 400 Litre
Section Rectangular Steel
RHS mounted
Locking cap