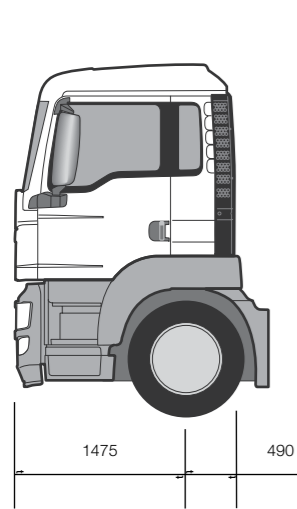


# TGS 6x2 Midlift Lite Tractor

## Cab Options

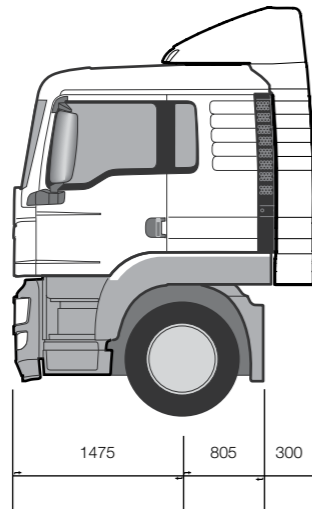
### 'M' Day Cab

Additional weight: -225 kg



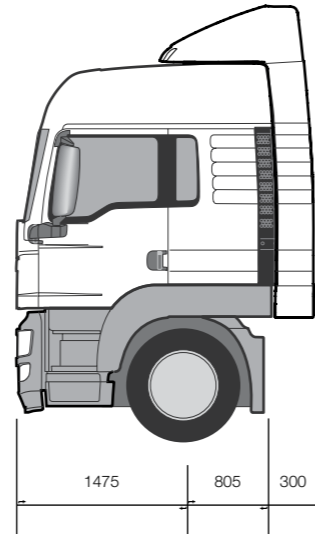
### 'L' Sleeper - Standard

Additional weight: 0 kg



### 'LX' Sleeper

Additional weight: 20 kg



**MAN Truck & Bus UK Ltd.,**  
Frankland Road, Blagrove,  
Swindon, Wiltshire SN5 8YU  
[www.mantruckandbus.co.uk](http://www.mantruckandbus.co.uk)

Ref: MAN TGS 6X2MIDLIT / 08  
Issue Date: October 2019  
Technical illustrations are not binding. Picture on front cover may not be standard equipment  
We reserve the right to make modifications in line with technical progress.

## TGS 6x2 Midlift Lite Tractor

Chassis Specification: TGS 24.430 6x2/2 BLS  
TGS 24.470 6x2/2 BLS  
TGS 24.510 6x2/2 BLS

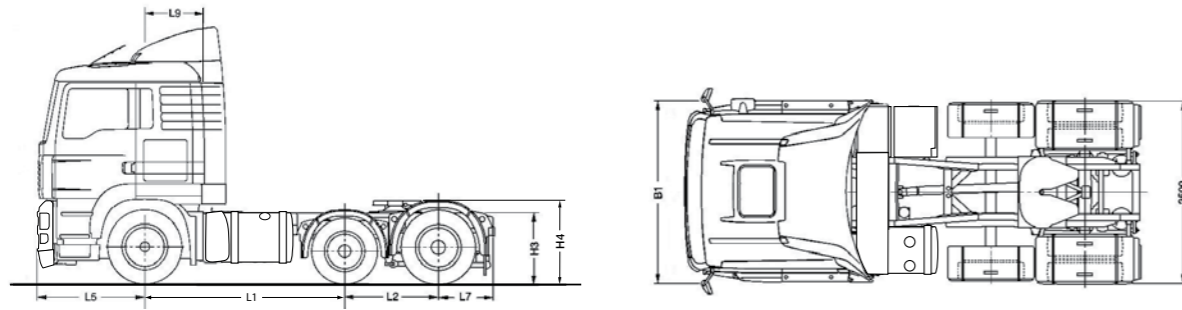


# TGS 6x2 Midlift Lite Tractor



## Base Cab Model TGS 'L' Cab

For cab variants, options and specifications see separate 'TGS Cab Specification' sheet



### Vehicle Dimensions (mm)

Code	Description	Value
L1	Wheelbase	2800
L2	Rear bogie spread	1100
L5	Front overhang	1475
L7	Rear overhang	800
L9	Centre line front axle to back of cab	805
B1	Width across wings	2500
H3	Fifth wheel flitch height at centre rear wheels	- laden: 926 - unladen: 956
H4	Standard fifth wheel height	- laden: 1189 - unladen: 1219

### Turning Circle

WTW	Wall to Wall	15600
KTK	Kerb to Kerb	13900
	Optimum 5th wheel position for standard specification	885

### Unladen Weights (kg +/- 2.5%)

Front axle	4935
Rear axle	2875
Total	7810

N.B. Unladen weights are for vehicle in standard specification with full tank of fuel and AdBlue® but without driver.

### Plated/Operating Weights (kg)

	Design	UK Legal
GCW Gross Combination Weight	44000	40000 <sup>(1)</sup> /44000 <sup>(2)</sup>
GVW Gross Vehicle Weight	23000	23000
Front axle	7500 <sup>(3)</sup>	7500 <sup>(3)</sup>
Midlift axle	5500	5200 <sup>(1)</sup> /5000 <sup>(2)</sup>
Drive axle	11500	10800 <sup>(1)</sup> /10500 <sup>(2)</sup>

N.B. Tyre changes can effect legal weights. <sup>(1)</sup> At 40000 kg or below. <sup>(2)</sup> Above 40000 kg. <sup>(3)</sup> Alternative Front Axle capacity available: 8000 kg.

### Optional Equipment & Weights (kg)

	Front	Rear	Total	Description	Front	Rear	Total
Fixed 5th wheel	+12	-61	-49	3 piece steel bumper	+105	-30	+75
16 Speed manual gearbox	+30	+20	+50	225 Ah Batteries	+30	0	+30
PTO NH/4	+4	+3	+7	Door extensions	+12	0	+12
PTO N221/10	+8	+7	+15	Air Conditioning	+40	0	+40
Alloy Air Tanks	-4	-11	-15	'M' Day cab	-225	0	-225
Windows in rear cab wall	+1	0	+1	'LX' Sleeper cab	+20	0	+20
9.00 x 22.5 Alcoa Alloy Wheels	-38	-102	-140	ADR Preparation	+30	+10	+40

All weights indicated above are subject to +/- 2.5% manufacturer's tolerance.

# TGS 6x2 Midlift Lite Tractor

## Engine Model - Euro 6

	D2676LF80	D2676LF79	D2676LF78
Engine Power (PS)	430	470	510
Rated Speed (rpm)	1800	1800	1800
Torque (Nm)	2200	2400	2600
Torque Range (rpm)	930 - 1350	930 - 1350	930 - 1350
Cylinders	6	6	6
Capacity (cc)	12419	12419	12419

## Features

- Exhaust Gas Recirculation and Selective Catalytic Reduction
- Common Rail EDC
- Cruise Control
- Exhaust valve brake
- Road speed limiter set to 89 kph
- OBD-D

## Performance @44000 kg

Engine Power	Gearbox TipMatic®	Axle Ratio	Geared Road Speed (mph)	Engine RPM @55 mph	Engine RPM @50 mph	Starting Grade	Tyre Size
430PS	1226 DD	2.53:1	85	1200	1090	33%+	315/70R22.5
470PS	1226 DD	2.53:1	85	1200	1090	33%+	315/70R22.5
510PS	1226 DD	2.53:1	85	1200	1090	33%+	315/70R22.5

## Clutch

Single plate 430mm diameter, asbestos free lining

## Axles

Steer	VOK-07 drop beam
Midlift Axle	LO-06 non steering
Drive Axle	HY-1350 single reduction

## Braking System

Type Electronic Brake System (EBS) with Anti-lock Braking System (ABS) and ASR traction control, including Emergency Brake Assist (EBA)

## Suspension

Steer Axle	Parabolic Springs Hydraulic Dampers Stabiliser
Midlift Axle	2 Bag Air Hydraulic Dampers Air Operated Lift
Drive Axle	ECAS Controlled 4 Bag Air Hydraulic Dampers 4-Point Control Arm

Features Vented disc brakes, 2 line trailer brake connections and pad wear indicators

Parking Brake Spring brakes on rear axles

## Gearbox

MAN TipMatic® 12 speed automated gearbox

### Ratios

1	16.69	2	12.92
3	9.93	4	7.67
5	5.9	6	4.57
7	3.66	8	2.83
9	2.17	10	1.68
11	1.29	12	1.00
R	15.54		

## Wheels & Tyres

Steer Axle	Tyres	315/70R22.5 steer tread
	Wheels	9.00x22.5
Midlift Axle	Tyres	285/70R19.5 steer tread
	Wheels	7.50x19.5
Drive Axle	Tyres	315/70R22.5 traction tread
	Wheels	9.00x22.5

## Exhaust System

Ground discharge silencer, incorporating diesel particulate filter (DPF)

## Frame

Construction	Bolted and Riveted
Material	High tensile steel (S500MC)
Section	270 x 85 x 8mm 942 - 762mm waisted

## General Equipment

24 litre AdBlue® tank  
Electronic immobiliser  
Adjustable air management kit with cab side deflectors (sleeper models only)  
Sliding fifth wheel including lead up ramps  
3 piece plastic rear wings and spray reduction mats

## Electrical System

Type	MANTronic CAN bus system with central on board computer and vehicle management computer
Voltage	24v
Alternator	120 Amp
Batteries	2 x 12v 175Ah

Mechanical battery master switch

Catwalk

Hoses and couplings including ABS lead

Coupling lamp

Rear axle diff lock

Heated water trap

Full bodybuilder and telemetry interface module

Lane Guard System (LGS)

Electronic Stability Programme (ESP)

## Fuel Tank

Capacity	450 Litre
Section	Rectangular Aluminium with Integral Step LHS mounted Locking cap