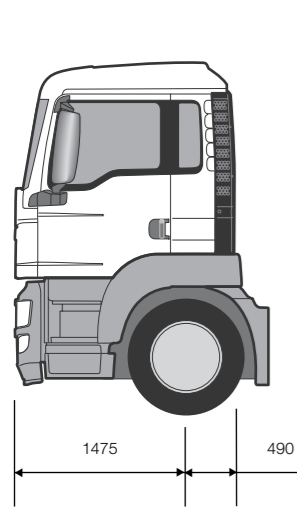


TGS 4x2 Tractor

Cab Options

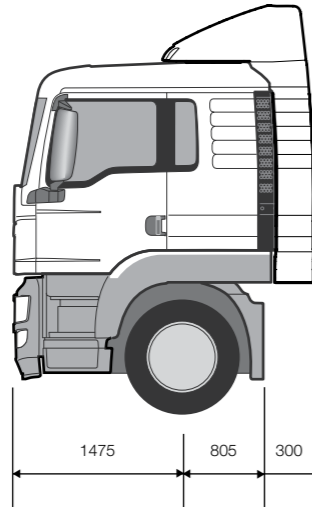
'M' Day Cab

Additional weight: -225 kg



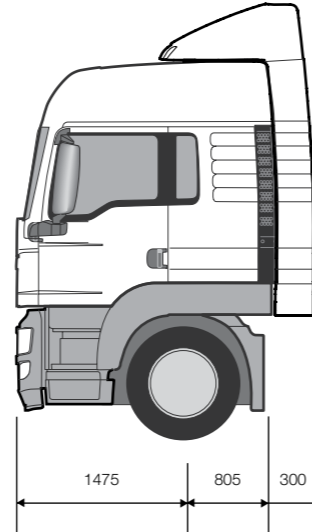
'L' Sleeper - Standard

Additional weight: 0 kg



'LX' Sleeper

Additional weight: 20 kg



MAN Truck & Bus UK Ltd.,
Frankland Road, Blagrove,
Swindon, Wiltshire SN5 8YU
www.mantruckandbus.co.uk

Ref: MAN TGS 4x2TRC / 08
Issue Date: October 2019
Technical illustrations are not binding. Picture on front cover may not be standard equipment
We reserve the right to make modifications in line with technical progress.

TGS 4x2 Tractor

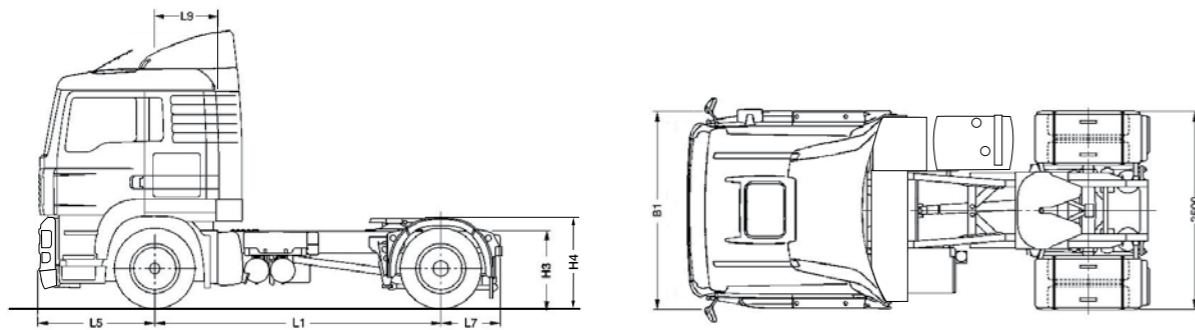
Chassis Specification: TGS 18.400 4x2 BLS
TGS 18.430 4x2 BLS
TGS 18.470 4x2 BLS



TGS 4x2 Tractor

Base Cab Model TGS 'L' Cab

For cab variants, options and specifications see separate 'TGS Cab Specification' sheet



Vehicle Dimensions (mm)

Dimension	Description	Value	Value
L1	Wheelbase	3600	3900
L5	Front overhang	1475	1475
L7	Rear overhang	800	800
L9	Centre line front axle to back of cab	805	805
B1	Width across wings	2500	2500
H3	Fifth wheel flitch height at centre rear wheels	- laden: 926 - unladen: 956	- laden: 926 - unladen: 956
H4	Standard 5th wheel height	- laden: 1211 - unladen: 1241	- laden: 1211 - unladen: 1241

Turning Circle

Turning Circle	Value	Value
WTW Wall to Wall	14800	15700
KTK Kerb to Kerb	13900	13900
Optimum 5th wheel position for standard specification	585	885

Unladen Weights (kg +/- 2.5%)

Weight	Value	Value
Front axle	4950	4955
Rear axle	1980	1990
Total	6930	6945

N.B. Unladen weights are for vehicle in standard specification with full tank of fuel and AdBlue® but without driver.

Plated/Operating Weights (kg)

	Design	UK Legal
GCW Gross Combination Weight	44000	40000
GVW Gross Vehicle Weight	18000	18000
Front axle	7500 ⁽¹⁾	7500 ⁽¹⁾
Rear axle	11500	11500

N.B. Tyre changes can effect legal weights. ⁽¹⁾ Alternative Front Axle capacities available: 8000 kg; 9000 kg.

Optional Equipment & Weights (kg)

	Front	Rear	Total		Front	Rear	Total
D1556 Engine in lieu of D2676 engine	-195	0	-195	225 Ah Batteries	+30	0	+30
Sliding 5th wheel	-10	+59	+49	Door extensions	+12	0	+12
16 Speed manual gearbox	+35	+15	+50	Air Conditioning	+40	0	+40
PTO NH/4	+4	+3	+7	'M' Day cab	-225	0	-225
Alloy Air Tanks	-6	-4	-10	'LX' Sleeper cab	+20	0	+20
Windows in rear cab wall	+1	0	+1	Side skirts	+28	+28	+56
9.00 x 22.5 Alcoa Alloy Wheels	-38	-76	-114	ADR Preparation	+40	0	+40
3 piece steel bumper	+105	-30	+75				

All weights indicated above are subject to +/- 2.5% manufacturer's tolerance.

TGS 4x2 Tractor



Engine Model - Euro 6

	D1556LF07	D2676LF80	D2676LF79
Engine Power (PS)	400	430	470
Rated Speed (rpm)	1800	1800	1800
Torque (Nm)	1800	2200	2400
Torque Range (rpm)	1000 - 1500	930 - 1350	930 - 1350
Cylinders	6	6	6
Capacity (cc)	9037	12419	12419

Features

- Common Rail EDC
- Cruise Control
- Exhaust valve brake
- Road speed limiter set to 89 kph
- OBD-D

Performance @40000 kg

Engine Power	Gearbox TipMatic®	Axle Ratio	Geared Road Speed (mph)	Engine RPM		Starting Grade	Tyre Size
				@55 mph	@50 mph		
400PS	1222 DD	2.71:1	79	1280	1160	33%+	315/70R22.5
430PS	1427 DD	2.53:1	85	1200	1090	33%+	315/70R22.5
470PS	1427 DD	2.53:1	85	1200	1090	33%+	315/70R22.5

Clutch

Single plate 430mm diameter, asbestos free lining

Axles

Steer VOK-07 drop beam
Drive HY-1350 single reduction

Braking System

Type Electronic Brake System (EBS) with Anti-lock Braking System (ABS), including Emergency Brake Assist (EBA)

Features Vented disc brakes, 2 line trailer brake connections and pad wear indicators

Parking Brake Spring brakes on rear axle

Gearbox

MAN TipMatic® 14 automated gearbox

Ratios

1	16.41	2	13.28
3	11.32	4	9.16
5	7.19	6	5.82
7	4.63	8	3.75
9	3.02	10	2.44
11	1.92	12	1.55
13	1.24	14	1.00
R	14.77		

Suspension

Steer Axle Parabolic Springs with Shock Absorbers and Stabiliser
Drive Axle ECAS Controlled 4 Bag Air Hydraulic Dampers 4-Point Control Arm

Steering Gear

Type ZF Servocom hydraulically assisted

Wheels & Tyres

Steer Axle Tyres 315/70R22.5 steer tread
Wheels 9.00x22.5
Drive Axle Tyres 315/70R22.5 traction tread
Wheels 9.00x22.5

Exhaust System

Ground discharge silencer, incorporating diesel particulate filter (DPF)

General Equipment

60 litre AdBlue® tank
Electronic immobiliser
Adjustable air management kit with cab side deflectors (sleeper models only)
Fixed fifth wheel and base plate
3 piece plastic rear wings and spray reduction mats
Mechanical battery master switch
Catwalk
Hoses and couplings including ABS lead
Coupling lamp
Rear Axle diff lock
Heated water trap
Full bodybuilder and telemetry interface module
Lane Guard System (LGS)
Electronic Stability Programme (ESP)

Frame

Construction Bolted and Riveted
Material High tensile steel (S500MC)
Section 270 x 85 x 8mm
942 - 762mm waisted

Fuel Tank

Capacity 400 Litre
Section Rectangular Steel
RHS mounted
Locking cap

Electrical System

Type MANTronic CAN bus system with central on board computer and vehicle management computer
Voltage 24v
Alternator 120 Amp
Batteries 2 x 12v 175Ah