



# TGM 18 Tonne 4x2 Tipper

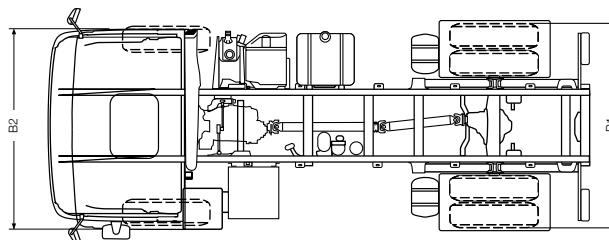
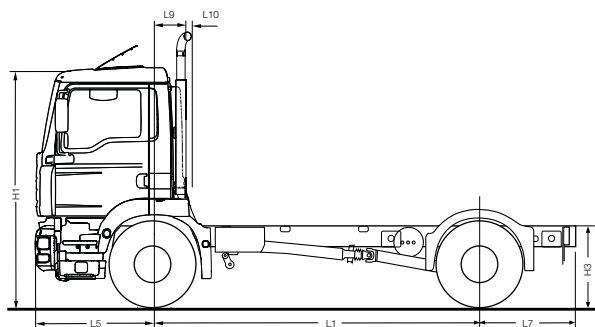
Chassis Specification: TGM 18.250 4x2 BB  
TGM 18.290 4x2 BB  
TGM 18.320 4x2 BB



# TGM 18 Tonne 4x2 Tipper

## Base Cab Model TGM 'C' Cab

For cab variants, options and specifications see separate 'TGM Options & Equipment' sheet



### Vehicle Dimensions (mm)

Dimension	Description	3575	3875
L1	Wheelbase	3575	3875
L5	Front overhang	1409	1409
L7	Rear overhang	1125	1125
L9	Centre line front axle to back of cab (including exhaust pipe)	480	480
L10	Back of cab to foremost body/equip. position	80	80
B1	Width across rear tyres	2422	2422
B2	Cab width over wings	2490	2490
H1	Cab height		
	- laden	2847	2847
	- unladen	2923	2923
H3	Frame height at centre rear wheels		
	- laden	965	965
	- unladen	1106	1106

### Turning Circle

WTW	Wall to Wall	14600	15500
KTK	Kerb to Kerb	12900	13900

### Unladen Weights (kg +/- 2.5%)

Front axle	3670	3705
Rear axle	1575	1600
Total	4245	5305

N.B. Unladen weights are for vehicle in standard specification with full tank of fuel and AdBlue® but without driver.

### Plated/Operating Weights (kg)

	Design	UK Legal
GTW Gross Train Weight	33000 <sup>(1)</sup>	33000 <sup>(1)</sup>
GVW Gross Vehicle Weight	18000	18000
Front axle	7100 <sup>(2)</sup>	7100 <sup>(2)</sup>
Rear axle	11500	11500

N.B. Tyre changes can effect legal weights. <sup>(1)</sup> Maximum value, subject to specification. <sup>(2)</sup> Alternative front axle capacity available: 7500 kg.

### Optional Equipment & Weights (kg)

	Front	Rear	Total		Front	Rear	Total
65 litre AdBlue® tank (full)	+35	+10	+45	Document Box	+5	0	+5
Exhaust Valve Brake (EVB)	+7	0	+7	Steel Front Bumper	+14	-6	+8
155 Ah Batteries	+15	+5	+20	MAN Alloy Wheels 8.25x22.5	-30	-60	-90
Air Conditioning	+25	0	+25				

All weights indicated above are subject to +/- 2.5% manufacturer's tolerance.

# TGM 18 Tonne 4x2 Tipper



Engine Model - Euro 6	D0836LFL79	D0836LFL80	D0836LFL81
Engine Power (PS)	250	290	320
Rated Speed (rpm)	2200	2200	2200
Torque (Nm)	1050	1150	1250
Torque Range (rpm)	1200 - 1600	1200 - 1700	1200 - 1700
Cylinders	6	6	6
Capacity (cc)	6871	6871	6871

## Features

- Selective Catalytic Reduction
- Common Rail EDC
- Cruise Control
- Exhaust brake
- Road speed limiter set to 89 kph
- OBDC

## Performance @18000 kg

Engine Power	Gearbox	Axle Ratio	Geared Road Speed (mph)	Engine RPM		Starting Grade	Tyre Size
				@55 mph	@50 mph		
250PS	9S1310 OD	4.63:1	74	1570	1430	33%+	295/80R22.5
290PS	9S1310 OD	4.63:1	74	1570	1430	33%+	295/80R22.5
320PS	9S1310 OD	4.63:1	74	1570	1430	33%+	295/80R22.5

## Clutch

Single plate 395mm diameter, asbestos free lining

## Gearbox

9S1110 DD 9 speed synchromesh gearbox

### Ratios

1	12.73	2	8.75
3	6.53	4	4.73
5	3.53	6	2.48
7	1.81	8	1.34
9	1.00	R	12.20

## Frame

Construction	Bolted and Riveted
Material	High tensile steel (S420MC)
Section	270 x 70 x 7mm
Frame width	864mm
Front under run guard	
Lateral protection	
Rear under run	

## Fuel Tank

Capacity	220 Litre
Section	Rectangular Steel RHS mounted Locking cap

## Axles

Steer	VOK-08 drop beam
Drive	HY-1330 single reduction with differential lock

## Suspension

Steer Axle	Parabolic Springs with Shock Absorbers and Stabiliser
Drive Axle	Parabolic Springs with Shock Absorbers and Stabiliser

## Wheels & Tyres

Wheels	Steel	8.25x22.5
Tyres	Steer	295/80R 22.5 steer tread
	Drive	295/80R 22.5 traction tread

## Electrical System

Type	MANTronic CAN bus system with central on board computer and vehicle management computer
Voltage	24v
Alternator	110 Amp
Batteries	2 x 12v 88Ah

## Braking System

Type	Electronic Brake System (EBS) with Anti-lock Braking System (ABS)
Features	Disc brakes, air dryer, asbestos free linings and brake assistant
Parking Brake	Spring brakes on rear axle

## Steering Gear

Type	ZF 8098 Servocom hydraulically assisted
------	---

## Exhaust System

Vertical discharge, incorporating diesel particulate filter (DPF)

## General Equipment

35 litre AdBlue® tank
Electronic immobiliser
Fuel filter with water separator
Manual door locking
Mechanical battery master switch
NH/1c PTO
Audible reverse warning with night silent
Manual mirrors
Lane Guard System (LGS)
Electronic Stability Programme (ESP)

# TGM 18 Tonne 4x2 Tipper

## Cab Options

### 'C' Day Cab - Standard

---

Additional weight: 0 kg



**MAN Truck & Bus UK Ltd.,**  
Frankland Road, Blagrove,  
Swindon. Wiltshire SN5 8YU  
[www.mantruckandbus.co.uk](http://www.mantruckandbus.co.uk)

Ref: MAN TGM 18T4X2TIP / 10  
Issue Date: July 2017

Technical illustrations are not binding. Picture on front cover may not be standard equipment.  
We reserve the right to make modifications in line with technical progress.