



# TGL 7.5 Tonne 4x2 Tipper

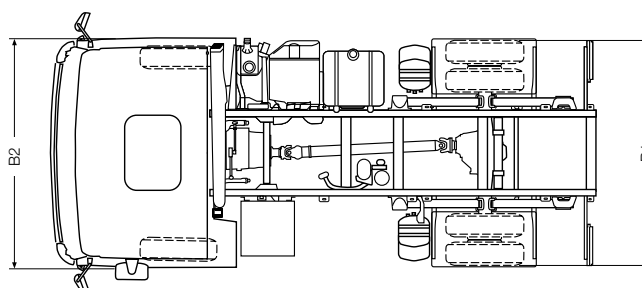
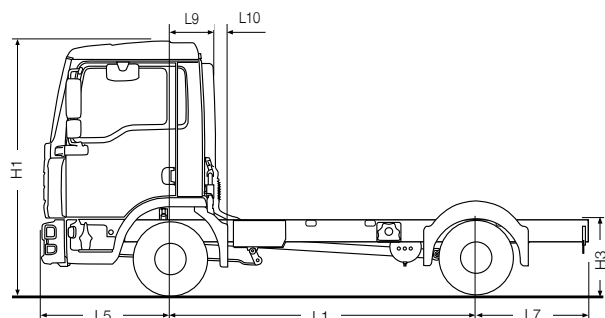
Chassis Specification: TGL 8.160 4x2 BB  
TGL 8.190 4x2 BB



# TGL 7.5 Tonne 4x2 Tipper

## Base Cab Model TGL 'C' Cab

For cab variants, options and specifications see separate 'TGL Options & Equipment' sheet



## Vehicle Dimensions (mm)

|           |  |           |             |             |
|-----------|--|-----------|-------------|-------------|
| <b>L1</b> | <b>Wheelbase</b>                             |           | <b>3050</b> | <b>3300</b> |
| L5        | Front overhang                               |           | 1292        | 1292        |
| L7        | Rear overhang                                |           | 1075        | 1775*       |
| L9        | Centre line front axle to back of cab        |           | 500         | 500         |
| L10       | Back of cab to foremost body/equip. position |           | 80          | 80          |
| B1        | Width across rear tyres                      |           | 2184        | 2184        |
| B2        | Cab width over wings                         |           | 2300        | 2300        |
| H1        | Cab height                                   | - laden   | 2574        | 2574        |
|           |  | - unladen | 2623        | 2623        |
| H3        | Frame height at centre rear wheels           | - laden   | 772         | 772         |
|           |  | - unladen | 860         | 860         |

\*Rear overhang will require shortening to suit tipper operation.

## Turning Circle

|     |              |       |       |
|-----|--------------|-------|-------|
| WTW | Wall to Wall | 12400 | 13100 |
| KTK | Kerb to Kerb | 10700 | 11500 |

## Unladen Weights (kg +/- 2.5%)

|            |      |      |
|------------|------|------|
| Front axle | 2670 | 2675 |
| Rear axle  | 815  | 835  |
| Total      | 3485 | 3510 |

N.B. Unladen weights are for vehicle in standard specification with full tank of fuel and AdBlue® but without driver

## Plated/Operating Weights (kg)

|                          | Design               | UK Legal             |
|--------------------------|----------------------|----------------------|
| GTW Gross Train Weight   | 18750 <sup>(1)</sup> | 18750 <sup>(1)</sup> |
| GVW Gross Vehicle Weight | 7500                 | 7500                 |
| Front axle               | 3400                 | 3400                 |
| Rear axle                | 5200                 | 5200                 |

N.B. Tyre changes can effect legal weights. <sup>(1)</sup> Maximum value, subject to specification.

## Optional Equipment & Weights (kg)

|  | Front | Rear | Total |                    | Front | Rear | Total |
|--|-------|------|-------|--------------------|-------|------|-------|
| Exhaust Valve Brake (EVB)                | +7    | 0    | +7    | Differential Lock  | 0     | +4   | +4    |
| 140 Ah Batteries                         | +15   | +5   | +20   | Air Conditioning   | +25   | 0    | +25   |
| 150 Litre Steel Fuel Tank (3600 wb only) | +28   | +34  | +62   | Steel Front Bumper | +45   | -6   | +39   |
| 200 Litre Steel Fuel Tank (3600 wb only) | +31   | +38  | +69   |                    |       |      |       |

All weights indicated above are subject to +/- 2.5% manufacturer's tolerance.

# TGL 7.5 Tonne 4x2 Tipper



| Engine Model - Euro 6 | D0834LFL77  | D0834LFL78  |
|-----------------------|-------------|-------------|
| Engine Power (PS)     | 160         | 190         |
| Rated Speed (rpm)     | 2300        | 2300        |
| Torque (Nm)           | 600         | 750         |
| Torque Range (rpm)    | 1000 - 1850 | 1200 - 1750 |
| Cylinders             | 4           | 4           |
| Capacity (cc)         | 4580        | 4580        |

## Features

- Selective Catalytic Reduction
- Common Rail EDC
- Cruise Control
- Exhaust brake
- Road speed limiter set to 89 kph
- OBDC

## Performance @7500 kg

| Engine Power | Gearbox  | Axle Ratio | Geared Road Speed (mph) | Engine RPM |         | Starting Grade | Tyre Size |
|--------------|----------|------------|-------------------------|------------|---------|----------------|-----------|
|              |          |            |                         | @55 mph    | @50 mph |                |           |
| 160PS        | 6S800 OD | 4.11:1     | 72                      | 1830       | 1670    | 33%+           | 9.5R17.5  |
| 190PS        | 6S800 OD | 4.11:1     | 72                      | 1830       | 1670    | 33%+           | 9.5R17.5  |

## Clutch

Single plate 395mm diameter, asbestos free lining

## Axles

|       |                          |
|-------|--------------------------|
| Steer | VOK-05 drop beam         |
| Drive | HY-0718 single reduction |

## Braking System

|               |   |
|---------------|---|
| Type          | Electronic Brake System (EBS) with Anti-lock Braking System (ABS) |
| Features      | Disc brakes, air dryer, asbestos free linings                     |
| Parking Brake | Spring brakes on rear axle  |

## Gearbox

6 speed manual gearbox

### Ratios

|   |      |
|---|------|
| 1 | 6.58 |
| 2 | 3.60 |
| 3 | 2.12 |
| 4 | 1.39 |
| 5 | 1.00 |
| 6 | 0.78 |
| R | 6.22 |

## Suspension

|            |   |
|------------|---|
| Steer Axle | Parabolic Springs with Shock Absorbers and Stabiliser |
| Drive Axle | Parabolic Springs with Shock Absorbers and Stabiliser |

## Steering Gear

|      |                                      |
|------|--------------------------------------|
| Type | C300 Servocom hydraulically assisted |
|------|--------------------------------------|

## Frame

|              |                             |
|--------------|-----------------------------|
| Construction | Bolted and Riveted          |
| Material     | High tensile steel (S420MC) |
| Section      | 270 x 70 x 4.5mm            |
| Frame width  | 859mm                       |

## Wheels & Tyres

|        |       |                          |
|--------|-------|--------------------------|
| Wheels | Steel | 6.00x17.5                |
| Tyres  | Steer | 9.5R 17.5 steer tread    |
|        | Drive | 9.5R 17.5 traction tread |

## Exhaust System

Ground discharge silencer, incorporating diesel particulate filter (DPF)

## Fuel Tank

|          |   |
|----------|---|
| Capacity | 100 Litre   |
| Section  | Rectangular Plastic<br>RHS mounted<br>Locking cap |

## Electrical System

|            |   |
|------------|---|
| Type       | MANTronic CAN bus system with central on board computer and vehicle management computer |
| Voltage    | 24v   |
| Alternator | 110 Amp   |
| Batteries  | 2 x 12v 88Ah  |

## General Equipment

|   |
|---|
| 35 litre AdBlue® tank                     |
| Electronic immobiliser                    |
| Fuel filter with water separator          |
| Manual door locking                       |
| NH/4C PTO                                 |
| Mechanical battery master switch          |
| Audible reverse warning with night silent |
| Manual mirrors                            |
| Lane Guard System (LGS)                   |
| Electronic Stability Programme (ESP)      |

# TGL 7.5 Tonne 4x2 Tipper

## Cab Options

### 'C' Day Cab - Standard

---

Additional weight: 0 kg



**MAN Truck & Bus UK Ltd.,**  
Frankland Road, Blagrove,  
Swindon. Wiltshire SN5 8YU  
[www.mantruckandbus.co.uk](http://www.mantruckandbus.co.uk)

Ref: MAN TGL 8T4X2TIP / 11  
Issue Date: July 2017

Technical illustrations are not binding. Picture on front cover may not be standard equipment.  
We reserve the right to make modifications in line with technical progress.