

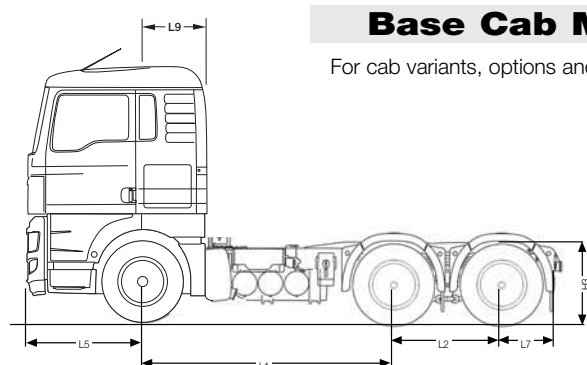


TGX 6x4 Tractor

Chassis Specification: TGX 26.480 6x4 BBS
EURO 5 TGX 26.540 6x4 BBS

TGX 26.480 6x4 BBS Tractor TGX 26.540 6x4 BBS Tractor

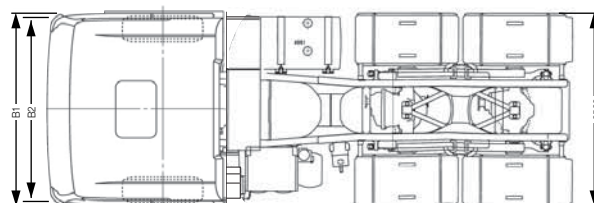
Chassis Specification



Base Cab Model

TGX 'XL' Cab

For cab variants, options and specifications see separate TGX cab specification sheet



Vehicle Dimensions (mm)

		3200	3600	3900
L1	Wheelbase	3200	3600	3900
L2	Rear bogie spread	1400/1350*	1400/1350*	1400/1350*
L5	Front overhang	1475	1475	1475
L7	Rear overhang	700/750*	700/750*	700/750*
L9	Centre line front axle to back of cab	805	805	805
B1	Width across wings	2500	2500	2500
B2	Cab width over doors	2240	2240	2240
H3	Frame height at centre rear wheels	1040	1040	1040
	- laden			
	- unladen	1160/1070*	1160/1070*	1160/1070*

Turning Circle

WTW	Wall to Wall	16200	17400	18300
KTK	Kerb to Kerb	14400	15600	16500
	Optimum 5th wheel position for standard specification	1125	1175	1225

* Dimensions with rear bogie air suspension.

Unladen Weights (kg +/- 2.5%)

Front axle	5095	5120	5135
Rear bogie	3890	3885	3890
Total	8985	9005	9025

N.B. Unladen weights are for vehicle in standard specification with full tank of fuel, AdBlue and without driver.

Plated/Operating Weights (kg)

This model can operate up to 80000 kg in STGO Cat 2

	Design	UK Legal
GCW Gross Combination Weight	44000	40000/44000 ⁽²⁾
GVW Gross Vehicle Weight	26000	26000/25000 ⁽²⁾
Front axle	7500/9000 ⁽³⁾	7500/9000 ⁽³⁾
Rear bogie	20000	19000 ⁽¹⁾ /17000 ⁽²⁾

N.B. Tyre changes can effect legal weights. ⁽¹⁾ At 40000 kg or below on steel suspension. ⁽²⁾ Above 40000 kg on steel suspension.

⁽³⁾ With VOK-09 axle, 9000 kg springs and 385/65R 22.5 tyres.

Optional Equipment & Weights (kg)

	Front	Rear	Total		Front	Rear	Total
Rear bogie 8 bellow air suspension	0	-210	-210	385/65R Super Single Tyres on			
HPD1353/HP1333 hub reduction drive axles*	0	+75	+75	11.75x22.5 steel rims on front	+38	0	+38
Tipmatic Automatic Gearbox	-40	-25	-65	'XLX' Sleeper cab	+40	0	+40
ZF PTO NH/4	+4	+3	+7	'XXL' Sleeper cab	+85	0	+85
Alloy Air Tanks	-5	-10	-15	Jost pressed fixed 5th wheel inc bed plate - 44 tonnes	+18	+168	+186
3 Piece Steel Bumper	+86	-22	+64	Jost pressed sliding 5th wheel assembly - 44 tonnes	+5	+230	+235
VOK-09 dropped beam front axle	+30	0	+30	Air management kit	+75	0	+75
9000 kg parabolic front spring	+14	0	+14				
225 Ah Batteries	+30	0	+30				

All weights indicated above are subject to +/- 2.5% manufacturer's tolerance.

TGX 26.480 6x4 BBS Tractor TGX 26.540 6x4 BBS Tractor



Chassis Specification

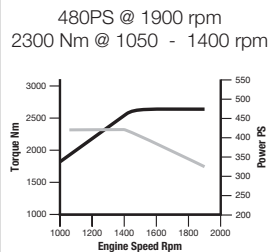
Engine Model

D26, 6 Cylinder in-line, 12.4 litre (Euro 5)

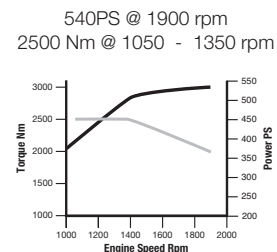
Features

- Selective Catalytic Reduction (SCR)
- Common Rail EDC
- Cruise Control
- Exhaust valve brake
- Road speed limiter set not to exceed 56mph (90kph)
- On-board diagnostics with NO_x control

D2676 SCR 480PS



D2676 SCR 540PS



Power

Torque

Performance

@44000 kg

Engine Power	Gearbox	Axle Ratio (HYD1370/HY1350)	Geared Road Speed (mph)	Engine RPM @55 mph	Engine RPM @50 mph	Starting Grade	Tyre Size
480PS	16S232 DD	3.08:1	69.2	1510	1372	33%+	295/80R22.5
540PS	16S232 DD	3.08:1	69.2	1510	1372	33%+	295/80R22.5
(HPD1353/HP1333)							
480PS	16S222 OD	3.63:1	69.9	1494	1360	33%+	295/80R22.5
		4.33:1	58.6	1783	1621	33%+	295/80R22.5
540PS	16S222 OD	3.63:1	69.9	1494	1360	33%+	295/80R22.5

Clutch

Single plate 430mm diameter, non asbestos

Gearbox

Direct Drive 16 speed gearbox with range change and splitter (Overdrive with hub reduction axles)

Ratios

Forward

1L	16.41	1H	13.80
2L	11.28	2H	9.49
3L	7.76	3H	6.53
4L	5.43	4H	4.57
5L	3.59	5H	3.02
6L	2.47	6H	2.08
7L	1.70	7H	1.43
8L	1.19	8H	1.00

Reverse

L	15.36	H	12.92
---	-------	---	-------

Frame

Construction	Bolted and Riveted
Material	High tensile steel
Section	270 x 85 x 8mm 940 - 762mm waisted

Fuel Tank

Capacity	400 Litre
Section	Rectangular Steel RHS mounted Locking cap

Axles

Steer	VOK-07 drop beam
Drive	HYD-1370/HY-1350 single reduction drive axles with cross and inter axle differential locks

Suspension

Steer Axle	Parabolic Springs with Shock Absorbers and Stabiliser
Rear Bogie	Parabolic Springs with Shock Absorbers and Stabiliser

Wheels & Tyres

Steer Axle	Tyres	315/80R 22.5 steer tread
	Wheels	9.00x22.5
Drive Axles	Tyres	295/80R 22.5 traction tread
	Wheels	9.00x22.5

Electrical System

Type	MANTronic CAN bus system with central on board computer and vehicle management computer
Voltage	24v
Alternator	80 Amp
Batteries	2 x 12v 175Ah

Braking System

Type	Electronic Brake System (EBS) with Anti-lock Braking System (ABS)
Features	Vented disc brakes*, 2 line trailer brake connections and pad wear indicators
Parking Brake	Spring brakes on rear axles

* Cam brakes on Hub Reduction axles

Steering Gear

Type	ZF 8098 Servocom hydraulically assisted.
------	---

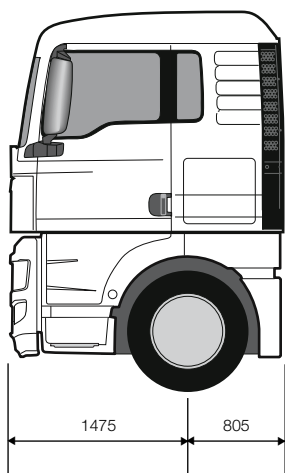
Exhaust System

Ground discharge silencer.

General Equipment

- 3 piece plastic rear wings and spray reduction mats
- Catwalk & Step
- Hoses and couplings including ABS lead
- Coupling lamp
- 35 litre AdBlue tank

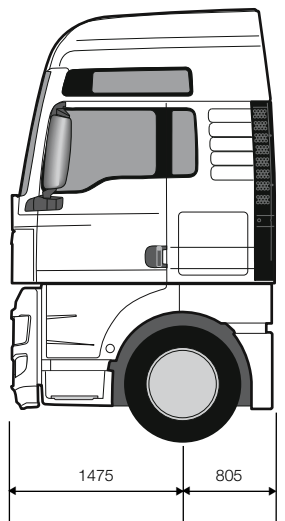
TGX 26.480 6x4 BBS Tractor
TGX 26.540 6x4 BBS Tractor
Cab Options



'XL' Sleeper - Standard
Additional weight: 0 kg



'XLX' Sleeper
Additional Weight: 40 kg



'XXL' Sleeper
Additional Weight: 85 kg

MAN Truck & Bus UK Ltd.,
Frankland Road, Blagrove,
Swindon. Wiltshire SN5 8YU
www.man-mn.co.uk

A member of the MAN Group.

