

# TGX 6X2 MIDLIFT LITE TRACTOR

Chassis Specification:

TGX 24.430 6x2/2 BL SA

TGX 24.470 6x2/2 BL SA

TGX 24.510 6x2/2 BL SA



# TGX 6X2 MIDLIFT LITE TRACTOR

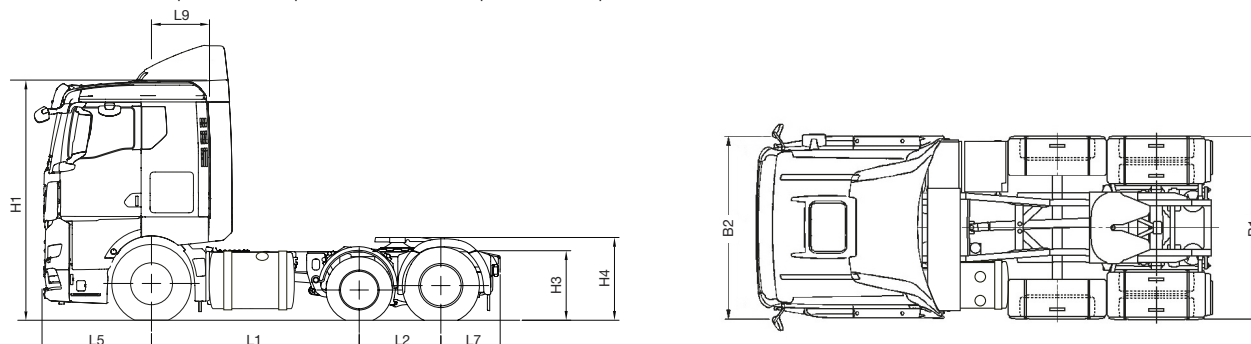
TGX 24.430 6x2/2 BL SA

TGX 24.470 6x2/2 BL SA

TGX 24.510 6x2/2 BL SA

## Base Cab Model TGX 'GN' Cab

For cab variants, options and specifications see separate cab specification sheet.



## Vehicle Dimensions (mm)

L1	Wheelbase		2800
L2	Rear bogie spread		1100
L5	Front overhang		1475
L7	Rear overhang		800
L9	Centre line front axle to back of cab		805
B1	Width across rear tyres		2470
B2	Cab width over wings		2499
H1	Cab height	- laden	3284
		- unladen	3351
H3	Frame height at centre rear wheels	- laden	935
		- unladen	965
H4	Fifth wheel height	- laden	1201
		- unladen	1231

## Turning Circle (m)

WTW	Wall to Wall	15.6
KTK	Kerb to Kerb	13.8
	Optimum fifth wheel position forward of third axle	885

## Unladen Weights (kg +/- 2.5%)

Front axle	5343
Rear axle	2742
Total	8085

Unladen weights are for vehicle in standard specification with full tanks of fuel and AdBlue® and include driver.

## Plated/Operating Weights (kg)

	Design	UK Legal	
GTW	Gross Train Weight	44000	44000
GVW	Gross Vehicle Weight	25000	23000
Front axle <sup>(1)</sup>		8000	8000
Midlift axle		5500	5200
Rear axle		11500	10800

Tyre changes can affect legal weights. (1) 9000 kg front axle upgrade optional.

## Optional Equipment & Weights

9000 kg capacity front axle	+119	GM Cab	-5
9.00 x 22.5 Alloy Wheels	-112	GX Cab	+54
ADR FL(AT) Equipment	+16	Remove air management kit	-71
NH/4c PTO	+6	Steel front bumper	+64
Fixed fifth wheel	-57		

All weights indicated above subject to +/- 2.5% manufacturer's tolerance. Changes to standard equipment will alter kerb weights.

Engine Model - Euro 6	D2676LFAJ	D2676LFAI	D26LFAF	Features
Engine Power (PS)	430	470	510	<ul style="list-style-type: none"> <li>▪ Selective Catalytic Reduction</li> <li>▪ Cruise Control</li> <li>▪ Exhaust brake</li> <li>▪ Road Speed Limiter (89 km/h)</li> <li>▪ OBD-E</li> <li>▪ Suitable for EN15940</li> </ul>
Rated Speed (rpm)	1800	1800	1800	
Torque (Nm)	2200	2400	2600	
Torque Range (rpm)	930 - 1350	930 - 1350	930 - 1350	
Cylinders	6	6	6	
Capacity (cc)	12419	12419	12419	

### Performance at 44000 kg

Engine Power	Gearbox	Axle Ratio	Geared Road Speed (mph)	Engine RPM		Starting Grade	Tyre Size
				@55 mph	@50 mph		
430PS	12.26 DD	2.31:1	89	1107	995	33%+	315/70R22.5
470PS	12.26 DD	2.31:1	89	1107	995	33%+	315/70R22.5
510PS	12.26 DD	2.31:1	89	1107	995	33%+	315/70R22.5

### Clutch

Single plate 430mm diameter, asbestos free lining

### Gearbox

12 Speed Tipmatic® Automated

#### Ratios

1	16.69
2	12.92
3	9.93
4	7.67
5	5.90
6	4.57
7	3.66
8	2.83
9	2.17
10	1.68
11	1.29
12	1.00
R1	15.54
R2	12.03

### Frame

Construction	Bolted and riveted
Material	S500MC
Section	270 x 85 x 8 mm
Frame width	942 - 762 mm waisted

### Fuel Tank

Capacity	460 Litres
Section	Rectangular steel LHS mounted Locking cap

### Axles

Steer	Drop beam
Midlift	Lifting non-steering
Drive	Single reduction

### Suspension

Steer Axle	Single parabolic springs with shock absorbers and stabiliser
Midlift Axle	Shock absorbers and air operated lift
Drive Axle	Electronically controlled air suspension with shock absorbers and stabiliser

### Rims & Tyres

Rims	Steer	Steel 9.00 x 22.5
	Midlift	Steel 8.25 x 19.5
	Drive	Steel 9.00 x 22.5
Tyres	Steer	315/70R22.5
	Midlift	285/70R19.5
	Drive	315/70R22.5

### Electrical System

Type	CAN Bus system with central on-board computer
Voltage	24V
Alternator	110 AMP
Batteries	2 x 12v 230Ah

### Steering

Type	Hydraulically assisted
------	------------------------

### Braking System

Type	Electronic Brake System (EBS) with Anti-lock Braking System (ABS)
Features	Disc brakes, air dryer, asbestos free linings
Parking Brake	Spring brakes on rear axle

### Exhaust System

Ground discharge silencer, incorporating Diesel Particulate Filter (DPF)

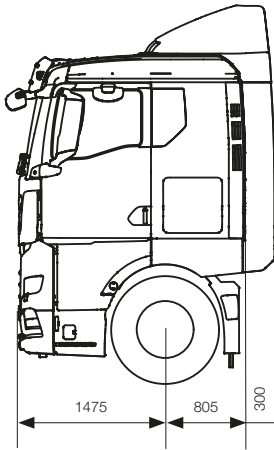
### General Equipment

24 Litre AdBlue® tank
Electronic immobiliser
Fuel filter with water separator
Mechanical battery master switch
Audible reverse warning with night silent
Central locking doors
Electronically controlled and heated rear view mirrors
Air management kit
Catwalk and step
Sliding fifth wheel
Hoses and couplings including ABS lead
Coupling lamp
Lane Guard System (LGS)
Emergency Brake Assist (EBA)
Electronic Stability Programme (ESP)

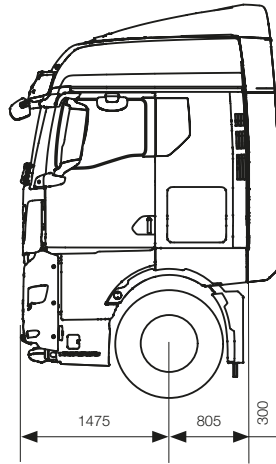
# TGX 6X2 MIDLIFT LITE TRACTOR

## Cab Options

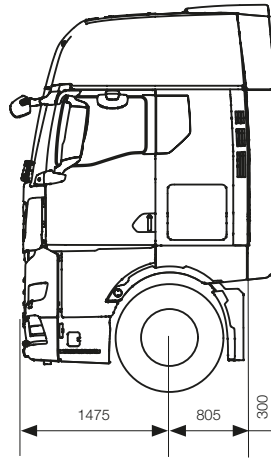
'GN' Cab



'GM' Cab



'GX' Cab



**MAN Truck & Bus UK Ltd.,**  
Frankland Road, Blagrove,  
Swindon. Wiltshire SN5 8YU  
[www.mantruckandbus.co.uk](http://www.mantruckandbus.co.uk)

Ref: MAN TGX 6X2MIDLIT / 09  
Issue Date: May 2022  
Technical illustrations are not binding.  
Front cover picture may not be standard equipment.  
We reserve the right to make modifications in line with technical progress.