

Bodybuilder's Bulletin

04 June 2008

Bulletin No. 103 (Replaces Bulletin No. 076)

Power Supply and Ground Connections for Auxiliary Consumers

Electrical circuits on the TG range of trucks are current consumption monitored, and as such it is essential that auxiliary electrical consumers added by bodybuilders and equipment installers are connected in the correct manner.

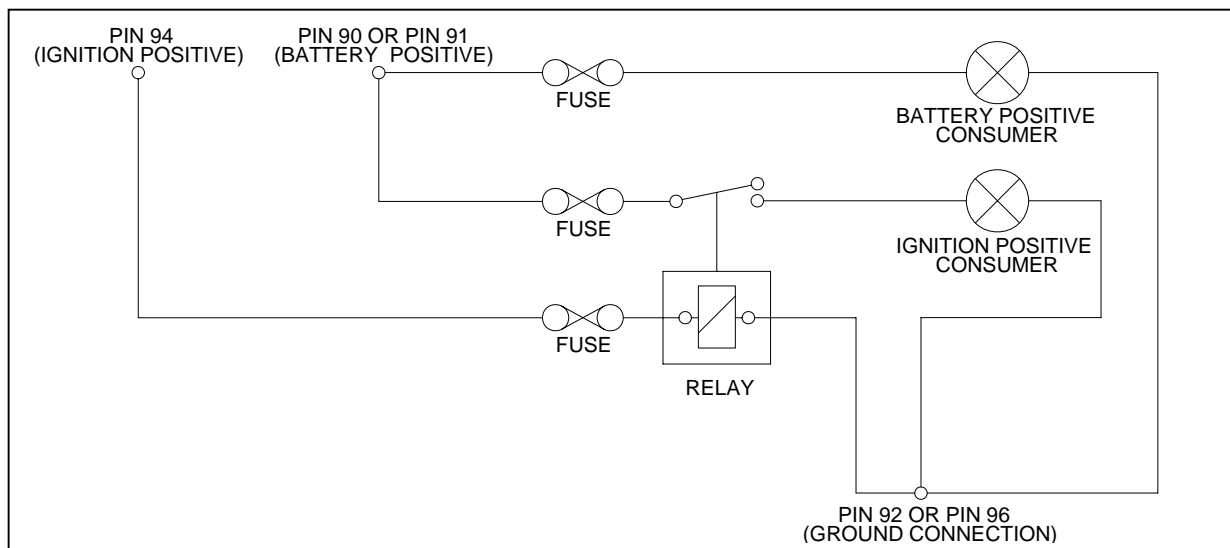
The Central Electrics (CE) panel has the following connections available to Bodybuilders:

- Battery positive connection – Pin 90 (2 No) and Pin 91;
- Ignition positive connection – Pin 94;
- Ground connection – Pin 92 and Pin 96.

The maximum current draw from Pin 94 must not exceed 10 A. Similarly, the maximum combined current draw from the two 90 Pins and Pin 91 must not exceed 10 A (they are supplied from one 10 A source.) All are un-fused so suitable fuses must be used, which are available from MAN and can be mounted in the fuse panel area and therefore maintain commonality with existing circuitry.

It is to be noted that if the 'ignition positive' facility is required the consumer must be operated via a relay, as powering it directly via Pin 94 can cause entries to be made in the control unit error memory.

The following diagram shows the correct wiring:



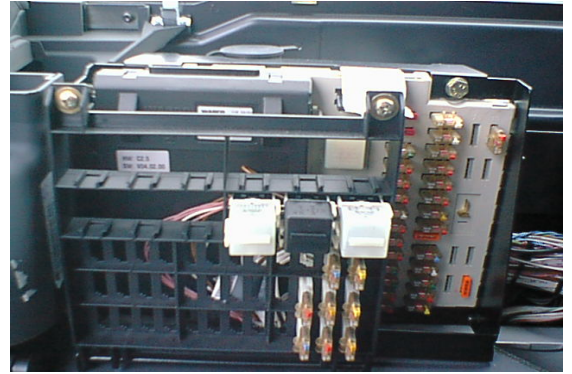
For current consumers that require more than 10 A, a feed must be sought from the battery instead of Pin 90 or Pin 91 and fused accordingly. Earth returns for these higher current consumers must use recommended earthing points (see BB089 and BB097).

Part Numbers for Fuses and Relays in Panel Area

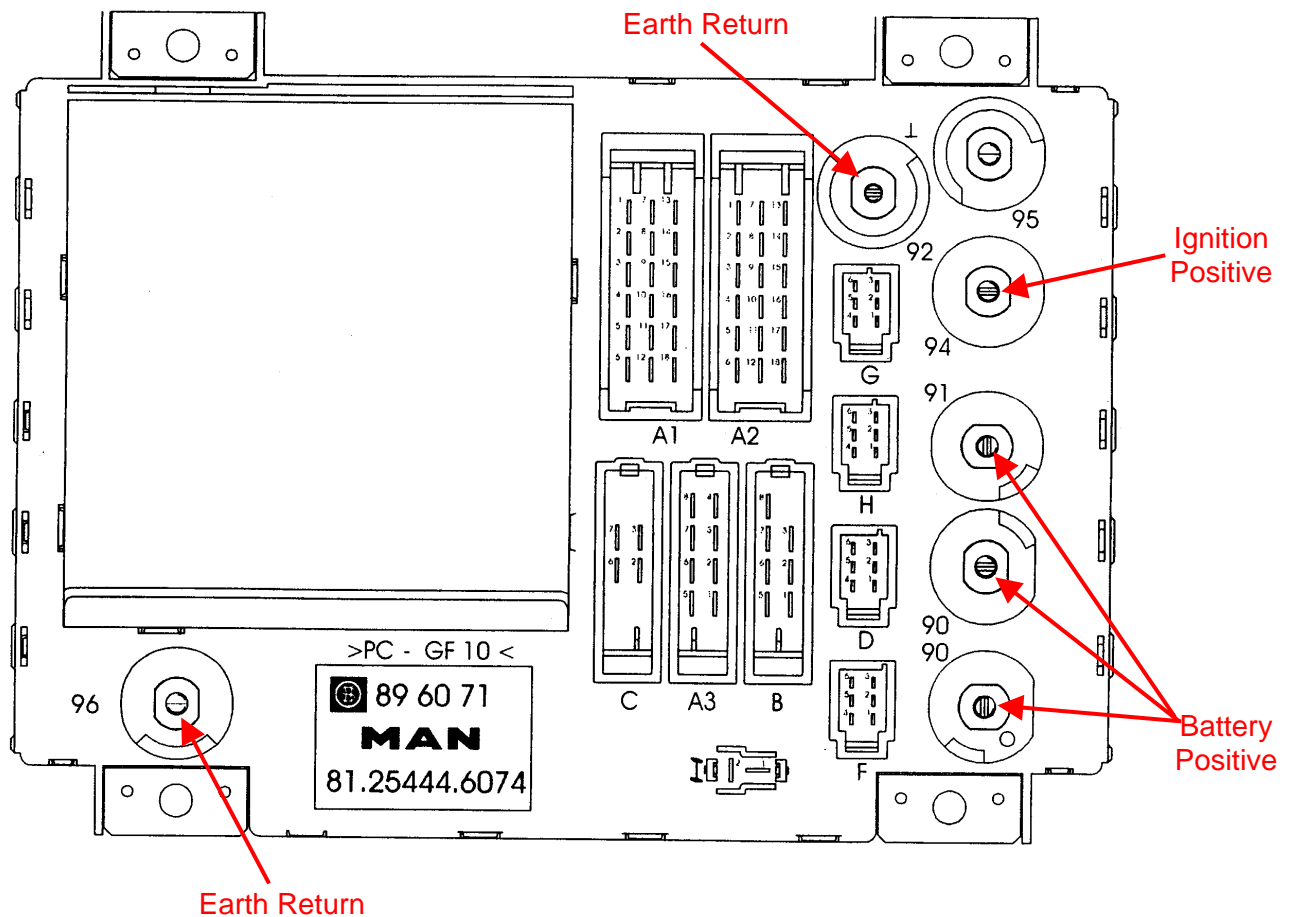
- 1 x 81.25435.0907 Fuse holder
- 1 x 81.25437.0094 10 A Fuse (other capacities available)
- 6 x Terminal Pins (depending on cable size. See below)
- 1 x 81.25475.0117 Relay holder
- 1 x 81.25902.0473 Relay

Terminal Pin Sizes

- 07.91201.2440 (cable size 0.5-1mm²)
- 07.91201.2441 (cable size 1.5-2.5mm²)
- 07.91201.2442 (cable size 3.0-4.0mm²)



Rear View of CE Panel Showing Pin Location



Should you have any queries on the above, please contact Product Engineering on 01793 448170 or email bodybuilder@man.co.uk.

Please circulate and then retain in the Bodybuilder's Manual